

DESCRIPTION: 1.00mm<sup>2</sup> (18 AWG)/2 26/22 CABLE 105C 600V

UNITS: IN

SCALE: 4:1

ITEM

SPECIFICATIONS

CUSTOMER: ELIMEC

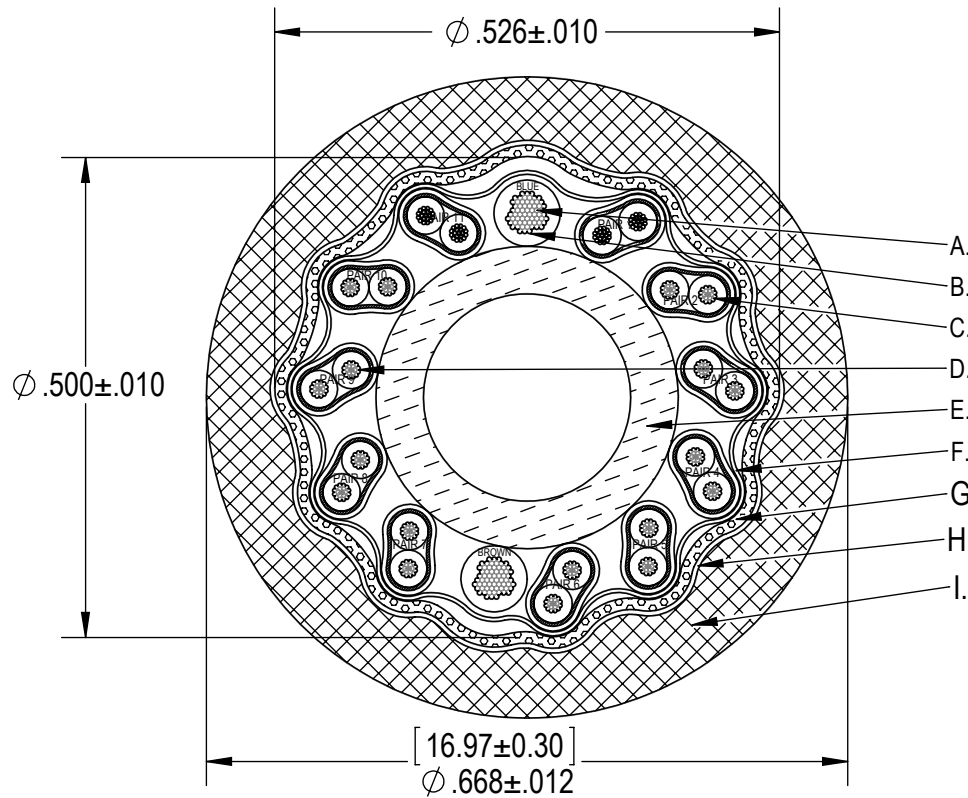
DWG NO: 59035-1

CUSTOMER P/N: TBD

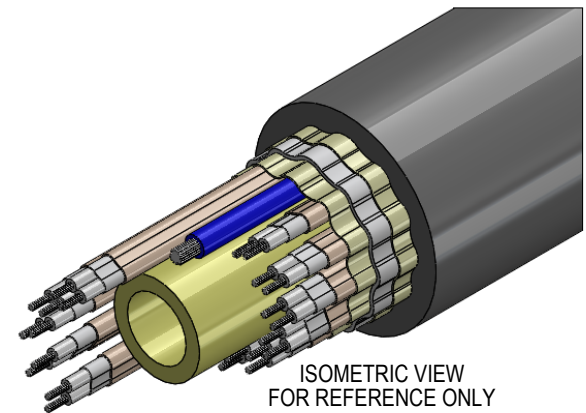
DATE: 12/21/2015

REV: A

CORE DIMENSIONS FOR INTERNAL USE ONLY



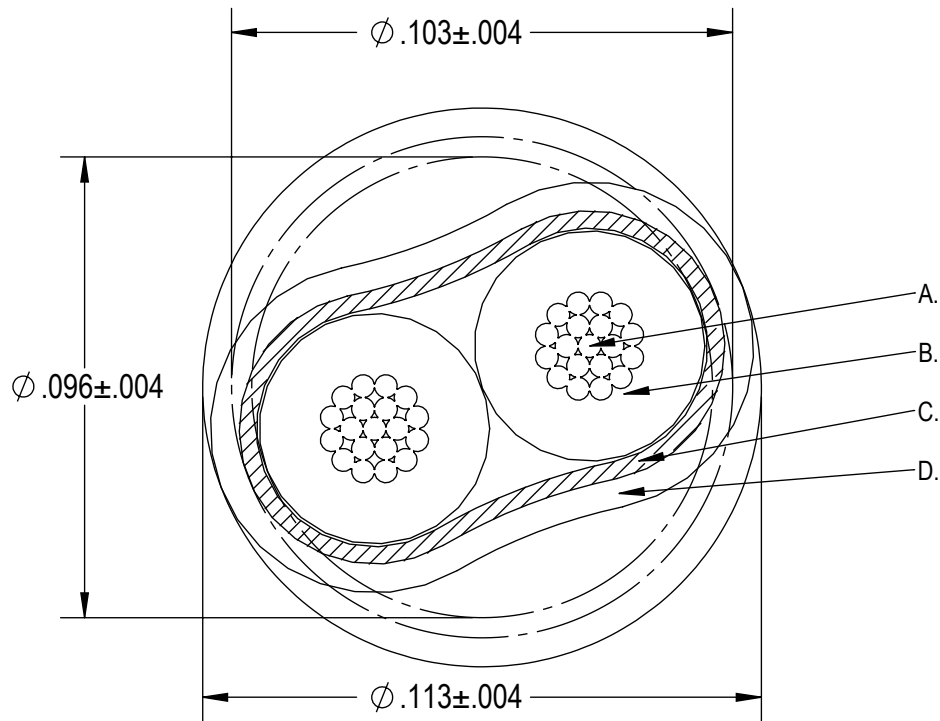
- | ITEM | SPECIFICATIONS   |
|------|--|
| A.   | 1.00mm <sup>2</sup> (18 AWG) 65x.005TC BUNCHED   |
| B.   | 0.23mm (.009) XLPE INSULATION 105C 600V<br>0.18mm (.007) MIN. XLPE INSULATION<br>O.D. 1.75 ± 0.05mm (.069 ± .002)                |
| C.   | SEVEN SHIELDED 105 OHM PAIRS   |
| D.   | FOUR SHIELDED PAIRS  |
| E.   | POLYURETHANE VENT TUBE<br>5.5mm ID x 8.0mm OD  |
| F.   | PTFE TAPE WRAP<br>20% MIN. OVERLAP 100% COVERAGE   |
| G.   | 85% MIN. TC BRAID SHIELD<br>34 GAUGE SINGLE ENDS   |
| H.   | PTFE TAPE WRAP<br>20% MIN. OVERLAP 100% COVERAGE   |
| I.   | 1.52mm (.060) PRESSURED PVC JKT 105C 600V<br>1.22mm (.048) MIN. PVC JACKET GRAY JACKET<br>NO UL OR CSA APPROVALS<br>CE COMPLIANT |
- ROHS COMPLIANT MATERIALS TO EU DIRECTIVE 2011/65/EU



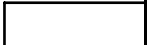
LEGEND SPECIFICATIONS NO LEGEND ON CABLE

--	--	--	--

DESCRIPTION:		UNITS: IN	SCALE: 60:1	ITEM	SUB-ASSEMBLY SPECIFICATIONS
CUSTOMER: ELIMEC		DWG NO: 59035-1		A.	26 GAUGE 19x38TC UNILAY
CUSTOMER P/N: TBD		DATE: 12/21/2015	REV: A	B.	0.33mm (.013) XLPE INSULATION 105C 600V 0.28mm (.011) MIN. XLPE INSULATION O.D. 1.22±0.05mm (.048±.002)

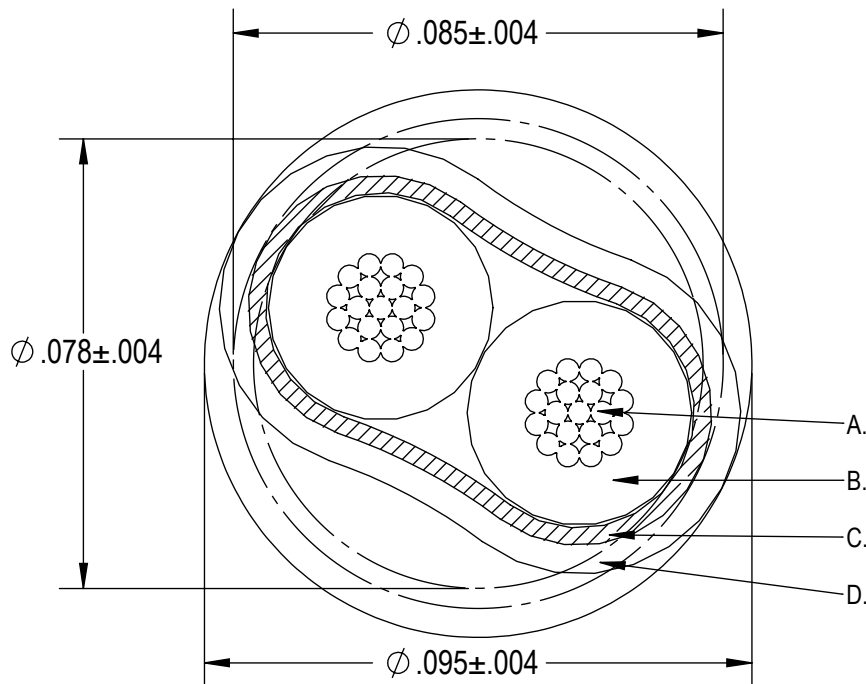


C.	95% MIN. TC SPIRAL SERVE SHIELD 40 GAUGE SINGLE ENDS
D.	PTFE TAPE WRAP 20% MIN. OVERLAP 100% COVERAGE
PAIR COLOR CODE: PAIR 1: BLACK, ORANGE PAIR 2: RED, BLUE PAIR 3: GREEN, BROWN PAIR 4: GRAY, WHITE PAIR 5: YELLOW, VIOLET PAIR 6: PINK, PINK/WHITE PAIR 7: RED/BLACK, BLACK/WHITE	



--	--	--	--

DESCRIPTION:		UNITS: IN	SCALE: 60:1	ITEM	SUB-ASSEMBLY SPECIFICATIONS
CUSTOMER: ELIMEC		DWG NO: 59035-1		A.	26 GAUGE 19x38TC UNILAY
CUSTOMER P/N: TBD		DATE: 12/21/2015	REV: A	B.	0.23mm (.009) XLPE INSULATION 105C 600V 0.18mm (.007) MIN. XLPE INSULATION O.D. 1.0±0.05mm (.039±.002)



- A. 26 GAUGE 19x38TC UNILAY
  - B. 0.23mm (.009) XLPE INSULATION 105C 600V  
0.18mm (.007) MIN. XLPE INSULATION  
O.D. 1.0±0.05mm (.039±.002)
  - C. 95% MIN. TC SPIRAL SERVE SHIELD  
40 GAUGE SINGLE ENDS
  - D. PTFE TAPE WRAP  
20% MIN. OVERLAP 100% COVERAGE
- PAIR COLOR CODE:  
 PAIR 8: BLUE/WHITE, VIOLET/WHITE  
 PAIR 9: GREEN/WHITE, GRAY/WHITE  
 PAIR 10: BROWN/WHITE, YELLOW/WHITE  
 PAIR 11: ORANGE/WHITE, WHITE/BLACK

