

Example Part Number
27141S161010855S

BASIC ADAPTER NUMBER (27141)

STYLE
 S = STRAIGHT
 A = 45°
 R = 90°

ORDER NO. PER TABLE II (161010855)

PLATING CODE NUMBER
 13 = ZINC COLBALT, OLIVE DRAB, PER ASTM B840-99
 55 = CADMIUM, OLIVE DRAB, PER SAE AMS-QQ-P-416, TYPE II, CLASS 3, OVER ELECTROLESS NICKEL PER AMS-C-26074, CLASS 3 OR 4, GRADE B
 10 = PASSIVATE, PER SAE AMS-QQ-P-35 (MATERIAL=SST)
 FOR ADDITIONAL FINISH OPTIONS, SEE CATALOG TABLE 4.

ADD 'S' FOR SELF-LOCKING COUPLING

TABLE I - CONNECTOR CODE

MILITARY SPECIFICATION	SERIES	CODE NO.
MIL-C-5015	3100	18
MIL-C-26482	1	21
MIL-C-26482	I (07)	24
MIL-C-38999	III & IV	40
MIL-C-38999	I & II	41
MIL-C-26482	2	54
MIL-C-5015G	3400	54
MIL-C-81703	3	54
MIL-C-83723	I	54
MIL-C-83723	III	54
NAS1599	-	54
LITTON VEAM CIR	-	64
AB 05	DEF.STD.59-35 PART 1, SEC.3	76
PATT 121	DEF.STD.59-35 PART 1, SEC.8	78

TABLE III - CABLE/HARNESS ENTRY DATA

ENTRY ORDER NO.	EMP BAND		
	Z +.010 -.020 DIA.	X ±.015 DIA.	W ±.010 DIA.
0 2	.125	.250	.312
0 3	.188	.312	.375
0 4	.250	.375	.438
0 5	.312	.438	.500
0 6	.375	.500	.562
0 7	.438	.562	.625
0 8	.500	.625	.688
0 9	.562	.688	.750
1 0	.625	.750	.812
1 2	.750	.875	.938
1 3	.812	.937	1.000
1 4	.875	1.000	1.062
1 6	1.000	1.125	1.188
1 7	1.062	1.188	1.250
1 8	1.125	1.250	1.312
1 9	1.188	1.313	1.375
2 0	1.250	1.375	1.438
2 2	1.375	1.500	1.562
2 3	1.438	1.562	1.625
2 4	1.500	1.625	1.688

LENGTH CODE NUMBER
 SELECT LENGTH IN 1/4" INCREMENTS (ie; 08=2.00", 09=2.25", etc.)
 00 FOR 45° & 90° ADAPTERS (STYLES A & R)

MIN. AVAIL. LENGTH	CONNECTOR CODES (TABLE I)
1.000	40, 41, 54,
1.250	18, 21, 24, 76, 78
1.500	64

- TERMINATION NUMBER**
- 1 = ADAPTER ONLY
 - 4 = ADAPTER w/ 1/4" EMP BAND (REF. 214L0002)
 - 5 = ADAPTER w/ 1/4" EMP BAND AND SHRINK BOOT
 - 6 = ADAPTER w/ 1/8" EMP BAND (ENTRY 13-24 CUSTOMER SUPPLIED)
 - 7 = ADAPTER w/ 1/8" EMP BAND (ENTRY 13-24 CUSTOMER SUPPLIED)
 - 8 = ADAPTER w/ 1/8" EMP BAND (REF. 214L0005)
 - 9 = ADAPTER w/ 1/4" EMP BAND (A10086)
- CONSULT FACTORY FOR TERMINATION NUMBER NOT SHOWN

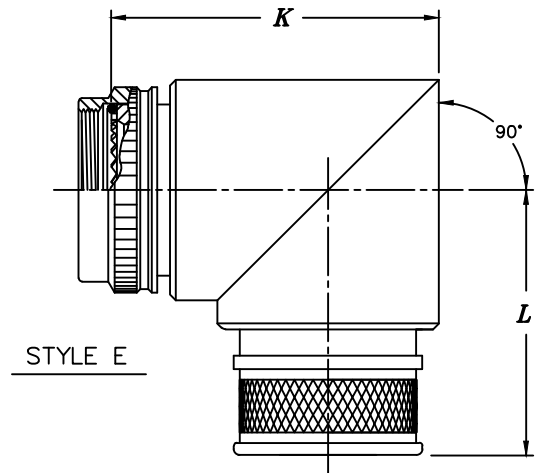
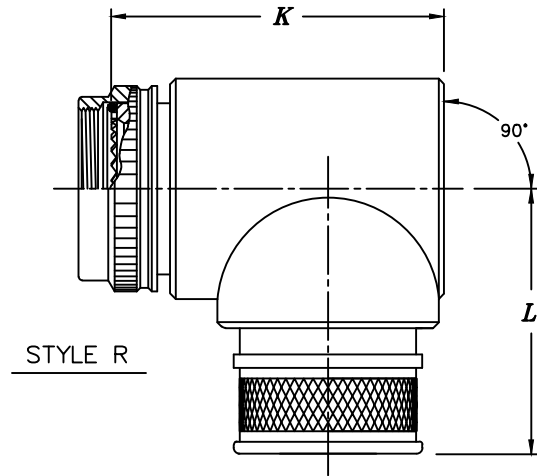
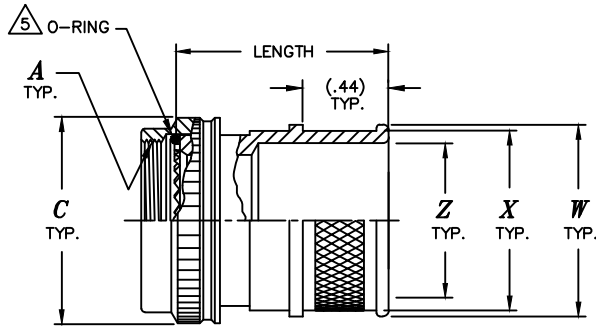


TABLE III - OVERSIZE ENTRY DATA

ENTRY ORDER NO.	K MAX.	L MAX.
0 5	1.375	1.375
0 6	1.375	1.375
0 7	1.500	1.438
0 8	1.500	1.438
0 9	1.625	1.500
1 0	1.625	1.500
1 2	1.750	1.562
1 3	1.875	1.562
1 4	1.875	1.625
1 6	2.000	1.688
1 7	2.125	1.688
1 8	2.125	1.750
1 9	2.250	1.812
2 0	2.250	1.812
2 2	CONSULT FACTORY FOR THESE ENTRY SIZES	
2 3		
2 4		

CONSULT FACTORY FOR STYLE A & D



**TABLE II – CONNECTOR CODE 40
 MIL-DTL-38999, SERIES III & IV**

ORDER NO.	SHELL SIZE		<i>A</i> METRIC THD. CLASS 6H	<i>B</i> MAX. DIA.	<i>D</i> MAX.	<i>E</i> MAX.	<i>F</i> MAX.	<i>G</i> MAX.	△ 4.
	COM'L.	MIL.							
0 8	9	A	M12 x 1.0	.703	.52	.997	.84	1.38	0 4
1 0	11	B	M15 x 1.0	.827	.54	1.023	.97	1.44	0 6
1 2	13	C	M18 x 1.0	.953	.57	1.048	1.09	1.50	0 8
1 4	15	D	M22 x 1.0	1.077	.59	1.074	1.22	1.56	1 0
1 6	17	E	M25 x 1.0	1.203	.62	1.100	1.34	1.63	1 2
1 8	19	F	M28 x 1.0	1.327	.63	1.113	1.41	1.69	1 4
2 0	21	G	M31 x 1.0	1.453	.66	1.152	1.53	1.75	1 6
2 2	23	H	M34 x 1.0	1.577	.68	1.178	1.66	1.81	1 8
2 4	25	J	M37 x 1.0	1.703	.71	1.204	1.78	1.88	2 0

NOTES: UNLESS OTHERWISE SPECIFIED

1. ASSEMBLY IDENT. PER MIL-STD-1285.
2. MATERIAL: COMPONENTS – ALUM. ALLOY OR SST
 O’RING – SILICONE

△**4.** WHEN ENTRY SIZE EXCEEDS CONNECTOR INSERT DIAMETER
 A STEP-UP CONFIGURATION WILL BE SUPPLIED. SEE SHEET 3

5. ADAPTERS MEET AND/OR EXCEEDS PERFORMANCE REQUIREMENTS
 OF AS85049C CATEGORY 3B

6. INTERFACE PER AS85049 FIGURE 3.



STANDARD FINISHES

PLATING CODE	FINISH	SPECIFICATION	ACCESSORY MATERIAL	CORROSION RESISTANCE (HRS)	ROHS COMPLIANT
0 3	CADIUM PLATE, OLIVE DRAB	SAE AMS-QQ-P-416, TYPE II, CLASS 3	ALUMINUM	96	NO
1 0	PASSIVATE	SAE AMS-QQ-P-35, (AS85049 CODE S)	STAINLESS STEEL	1000	YES
1 2	ZINC NICKEL, BLACK	ASTM B841	ALUMINUM	500	YES
1 3	ZINC COBALT, OLIVE DRAB	ASTM B840-99	ALUMINUM	96	NO
1 4	ZINC COBALT, BLACK	ASTM B840-99	ALUMINUM	96	NO
2 1	IRIDITE, 14-2, GOLD	IRIDITE, NUMBER 14-2 PER MIL-DTL-5541 CL 3	ALUMINUM	96	NO
3 4	ANODIZE, BLACK	MIL-A-8625, TYPE II, CL 3 (AS85049 CODE A)	ALUMINUM	1000	YES
3 5	ANODIZE ,GREY	MIL-A-8625, TYPE II, CLASS 2	ALUMINUM	500	YES
4 4	ANODIZE, HARD, BLACK	MIL-A-8625, TYPE II, CLASS 2	ALUMINUM	500	YES
4 5	ANODIZE, HARD, GREY	MIL-A-8625, TYPE II, CLASS 2	ALUMINUM	1000	YES
4 8	ELECTROLESS NICKEL	AMS-2404F, CLASS 4, GRADE B	STAINLESS STEEL	48	NO
5 1	ELECTROLESS NICKEL	AMS-2404F, CLASS 4, GRADE B	ALUMINUM	48	NO
5 5	CADIUM PLATE, OLIVE DRAB, OVER ELECTROLESS NICKEL	SAE AMS-QQ-P-416, TYPE II, CLASS 3, OVER ELECTROLESS NICKEL, PER AMS-2404F (AS85049 CODE W)	ALUMINUM	1000	NO
5 6	ELECTROLESS NICKEL	AMS-2404F, CLASS 4, GRADE A	ALUMINUM	96	NO
5 6 R	ELECTROLESS NICKEL	AMS-2404F, CLASS 4, GRADE A	ALUMINUM	48	YES
5 7	ELECTROLESS NICKEL	AMS-2404F, CLASS 4, GRADE A (AS85049 CODE N)	ALUMINUM	96	NO
64	CADIUM PLATE, OLIVE DRAB, OVER ELECTROLESS NICKEL	SAE AMS-QQ-P-416, TYPE II, CLASS 3, OVER ELECTROLESS NICKEL, PER AMS-2404F (SELECTIVE PLATING REF AS85049 CODE P)	ALUMINUM	1000	NO
85	PASSIVATED	SAE AMS-QQ-P-35	316 SST	1000	YES
87	BEAD BLASTED	N/A	NI. ALUM. BRONZE	1000	YES

NOTES: UNLESS OTHERWISE SPECIFIED

1. CORROSION RESISTANCE IS SPECIFIED FOR SALT SPRAY IN ACCORDANCE WITH AS85049

CONSULT FACTORY FOR OTHER FINISHES

FINISHES ARE APPLICABLE TO THE CONNECTOR ACCESSORIES ONLY AND EXCLUDE FASTENERS AND OTHER HARDWARE

4. EMI/RFI ACCESSORIES ARE SUPPLIED WITH CONDUCTIVE FINISHES ONLY

5. ANODIZE NOT SUITABLE FOR EMI SHIELDING OR GROUNDING APPLICATIONS

6. ALL THE CONDUCTIVE FINISHES USED ON ALUMINUM CAN ALSO BE USED ON BRASS (CONSULT FACTORY)

CADMIUM/NICKEL INTERFACE SHALL BE COATED WITH POLYSULFIDE SEALANT (REF FIGURE 2 BELOW)

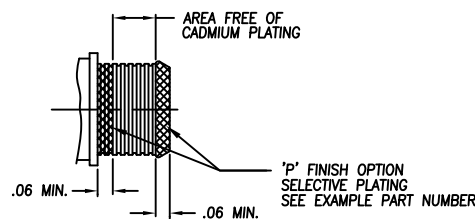


FIGURE 2



STANDARD MATERIALS

COMPONENT	MATERIAL	SPECIFICATION
MACHINED COMPONENTS	ALUMINUM STAINLESS STEEL (300 SERIES) BRASS NICKEL ALUMINUM BRONZE	ASTM B221, ASTM B211 (MFG OPTION) AMS-QQ-S-763, QQ-S-764 (MFG OPTION) QQ-B-626 ASTMB150 (AMS4640)
DIE CAST COMPONENTS	ALUMINUM	ASTM B 85
FASTENERS AND HARDWARE	STAINLESS STEEL (300 SERIES) STEEL BRASS	AMS-QQ-S-763 SAE20, QQ-S-634, QQ-S-637 QQ-B-626
ELASTOMERIC SEALS	SILICONE BUNA-N NEOPRENE	ZZ-R-765B, MIL-R-25988 AMS-3209 MIL-R-3065

NOTES: UNLESS OTHERWISE SPECIFIED

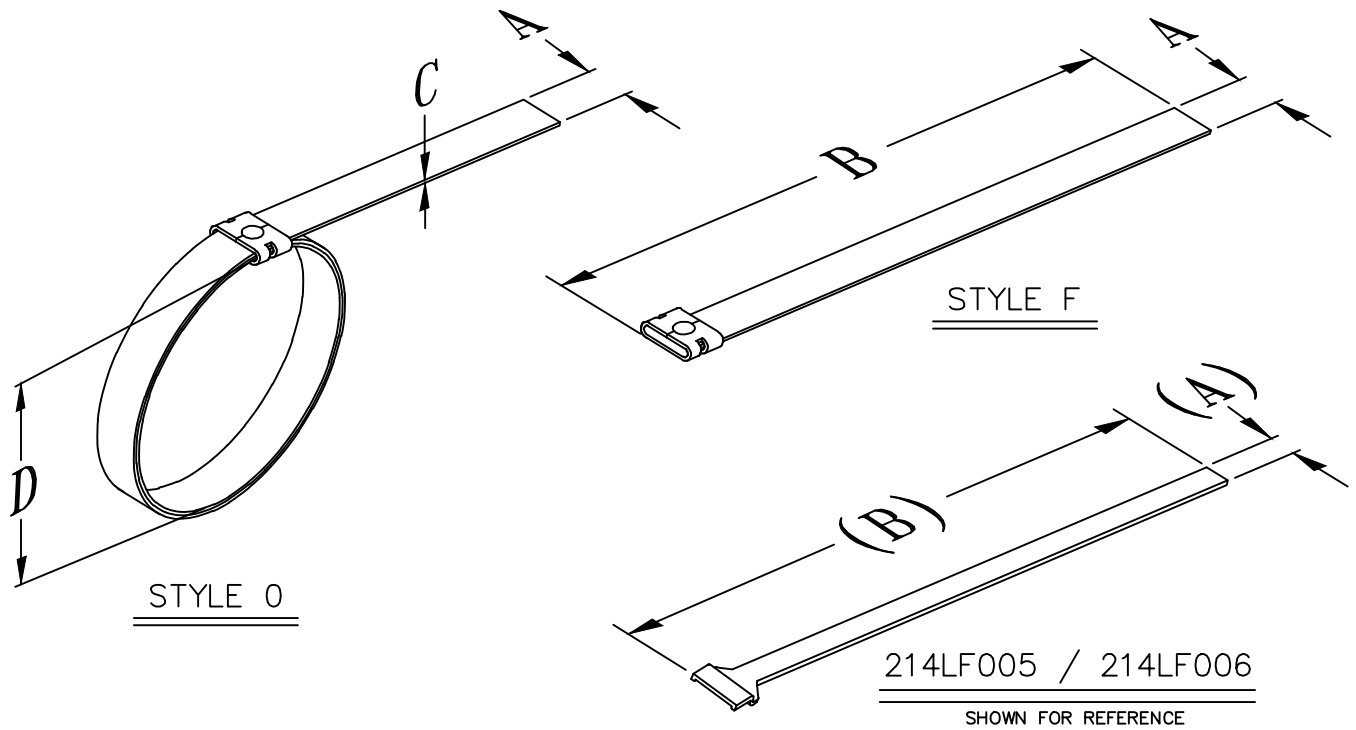
1. THE SPECIFIED MATERIALS ARE STANDARD FOR THE MAJORITY OF CONNECTOR ACCESSORIES
2. CONSULT FACTORY FOR OTHER MATERIALS
3. FOR DOCUMENTS LISTED WITHIN THIS CATALOG WITH OUT A TOLERANCE SHOWN SHALL HAVE TOLERANCES AS FALLOWED:
 - .X = $\pm .2$
 - .XX = $\pm .12$
 - .XXX = $\pm .062$
 - X° = $\pm 10^\circ$



ELECTRO ADAPTER INC.
 CHATSWORTH, CALIFORNIA, USA 91311
 PHONE (818) 998-1198
 FAX (818) 709-5773

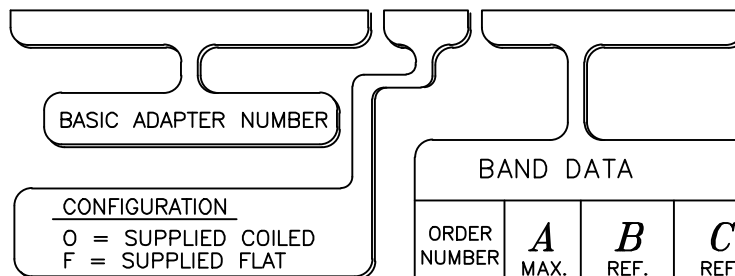
**SECTION 2 - BANDING TERMINATION
 WIRE HARNESS ACCESSORIES,
 ELECTRICAL, EMI / RFI / EMP,
 SHIELD TERMINATION BAND,
 PER AS85049 CATEGORY 7**

214L
 SHEET 1 OF 1



Example Part Number

214LF002



ORDER NUMBER	BAND DATA			ϕD APPROX.	
	A MAX.	B REF.	C REF.	FULL OPEN	MIN. INSTALLED
002	.25	12.00	.019	1.50	.156
005	.12	8.125	.015	.88	.125
006	.25	14.25	.019	1.80	.156

NOTES: UNLESS OTHERWISE SPECIFIED

1. ASSEMBLY IDENT. PER MIL-STD-1285
2. MATERIAL: 300 SERIES STAINLESS STEEL
3. FINISH: PASSIVATE PER SAE AMS2700D
4. BANDS MUST BE DOUBLE WRAPPED.
5. EXTENDED LENGTHS AVAILABLE
CONSULT FACTORY REGARDING THIS OPTION
6. INSTALL USING BAND-IT[®] TOOL #A30199
7. INSTALL USING BAND-IT[®] TOOL #A40199
8. BAND(S) COME BAGGED AND TAG IN QTY(S)
FROM 1 TO 100
9. PRODUCT(S) MAY LOOK DIFFERENT THEN SHOWN
10. BAND(S) MEET REQUIREMENTS OF AS85049/128