

# S.A.I.B.

## Connectique

### BAYONET AUDIO CONNECTORS



## 425 Series



## DT 1209 Rev A



SAIB Connectique - 7 rue Salvador Allende - 42350 LA TALAUDIÈRE - FRANCE  
Phone : (+33)4 77 74 03 17 - [www.saib.fr](http://www.saib.fr) - [saib@saib.fr](mailto:saib@saib.fr)



## SUMMARY

**Page 3**      **Specifications**

**Pages 4**      **Codification**

**Page 5**      **Extensions and plugs (solder cup termination contact)**

**Page 6**      **Receptacles (solder cup and through-hole termination contact)**

**Page 7**      **Informations tables**

**Page 8**      **Polarizing features**

**Page 9**      **Backshells for plug and extension**

**Page 11**      **Codification of caps**

**Pages 12**      **Metallic caps for plug**

**Page 13**      **Metallic caps for receptacle and extension**

**Page 14**      **Special caps / Tools**

For any specific demand, please contact us.



## SPECIFICATIONS

These audio connectors were created to address weight and dimension issues in the severe military and civilian equipments.

They are referenced in GAM T1 list and comply with VG95351 and VG96934 standards and technical specifications for the realization of electronic telecommunication equipment for the army.

### MATERIAL:

Contacts: ..... Copper alloy / Finish: gold over nickel.  
Plug: ..... Stainless steel / Finish: matte black.  
Receptacle: ..... Stainless steel / Finish: matte black.  
Insulator: ..... Thermoset.  
Backshell: ..... Aluminium alloy / Finish: matte black.

### MECHANICAL:

Locking system: ..... Bayonet (3 lugs).  
Mechanical durability: ..... 5 000 operations (mating/unmating).

### ELECTRICAL:

Working voltage: 7 contacts ..... 42 V c.c. max.  
10 contacts ..... 100 V c.c. max.  
Nominal current per contact: 7 contacts ..... 0.5 A max.  
10 contacts ..... 1.5 A max.  
Contact resistance: ..... < 20 mΩ.  
Dielectric: ..... 500 V RMS 50 Hz  
Insulation resistance: ..... > 5000 MΩ à 100 V c.c.  
Crosstalk: ..... > 100 dB à 8kHz  
Cables (7 or 10 contacts): ..... AWG 20

### ENVIRONMENTAL:

Operating temperature: ..... -55 °C à 85 °C.  
Salt spray resistance: ..... 254 h.  
Waterproof: ..... 4 m under water during 2 h (IP68).



- ✚ In this data sheet, the part numbers are detailed as they are marked on the connectors. SAIB part numbers are communicated during requests for quotation.
- ✚ Correct assembly of connectors and backshells is guaranteed only on couples of our origin.

Wiring specification DT1238 is available on demand.

For any specific demand, please contact us.



## CODIFICATION

### EXTENSION



### PLUG



### Solder-cup termination contact



Family connector: 425 - 0 7 F N M 1 7  
 Number of contacts: 7 / 10  
 Type: P = Extension / F = Plug  
 Polarization: N / W  
 Backshell: M = Straight / R = Knurled for Heat-shrink boot / RA = Special  
 Body connector: 1 = Stainless steel + matte black chrome  
 Sleeve diameter: 5 / 6 / 7

### RECEPTACLE



### CONTACT TERMINATIONS Solder-Cup Through-hole

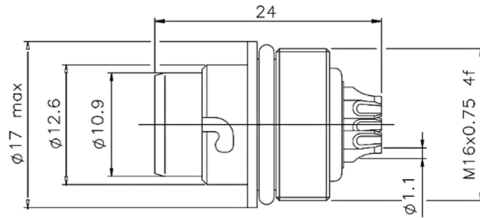


Family connector: 425 - 0 7 S N E 1 S  
 Number of contacts: 7 / 10  
 Type: S = Receptacle  
 Polarization : N / W  
 Screw: E = Notched screw / H = Hexagonal screw  
 Body connector: 1 = Stainless steel + matte black chrome  
 Type of termination contacts: S = Solder-cup / L ou C = Through-hole (See page :6)

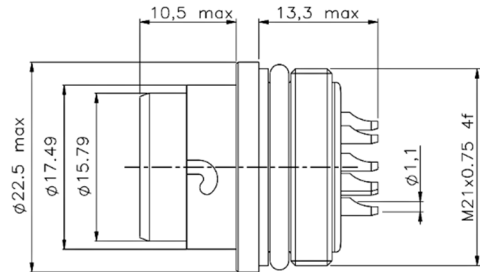
For any specific demand, please contact us.

## EXTENSIONS 425-xx Pxxxx

### 7 contacts



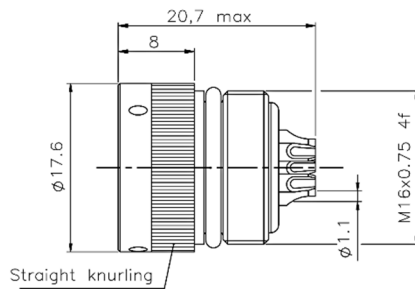
### 10 contacts



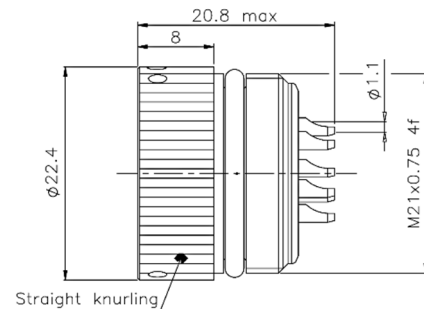
Extensions are equipped with spring contacts with solder cup termination.  
 They are available with 7 or 10 contacts,  
 and can be equipped with different kinds of backshells (See pages 9 & 10).

## PLUGS 425-xx Fxxxx

### 7 contacts



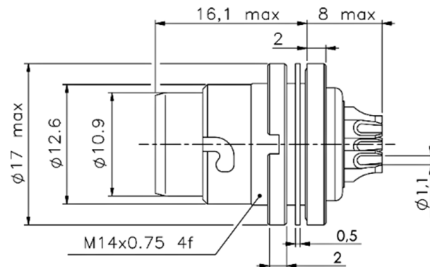
### 10 contacts



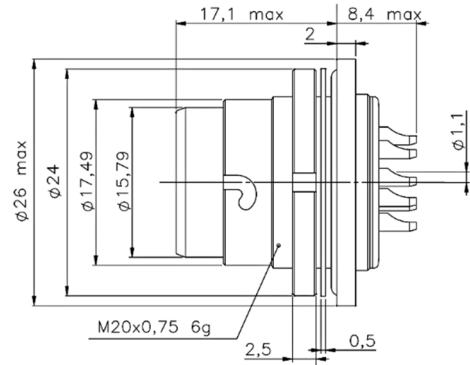
Plugs are equipped with flat contacts with solder-cup termination.  
 They are available with 7 or 10 contacts and can be equipped with different kinds of backshells (See pages 9 & 10).

## RECEPTACLES 425-xx Sxxxx

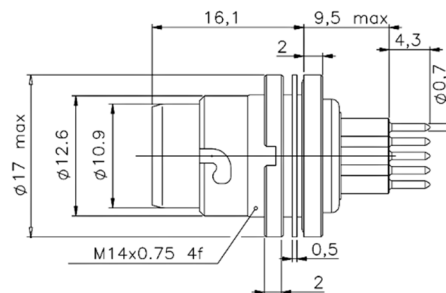
**425-07 SxE1S**



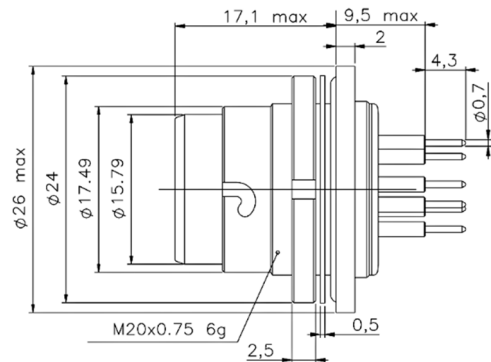
**425-10 SxE1S**



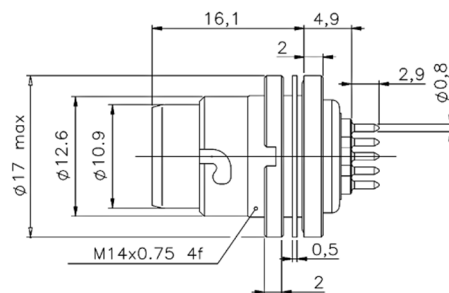
**425-07 SxE1L**



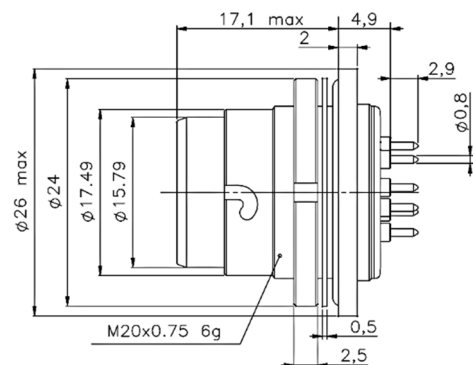
**425-10 SxE1L**



**425-07 SxE1C**



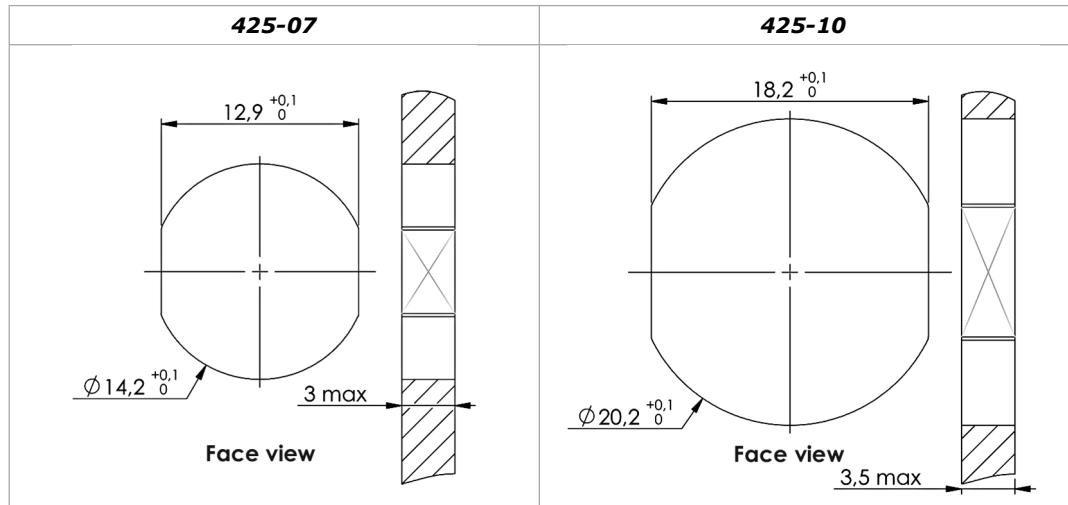
**425-10 SxE1C**



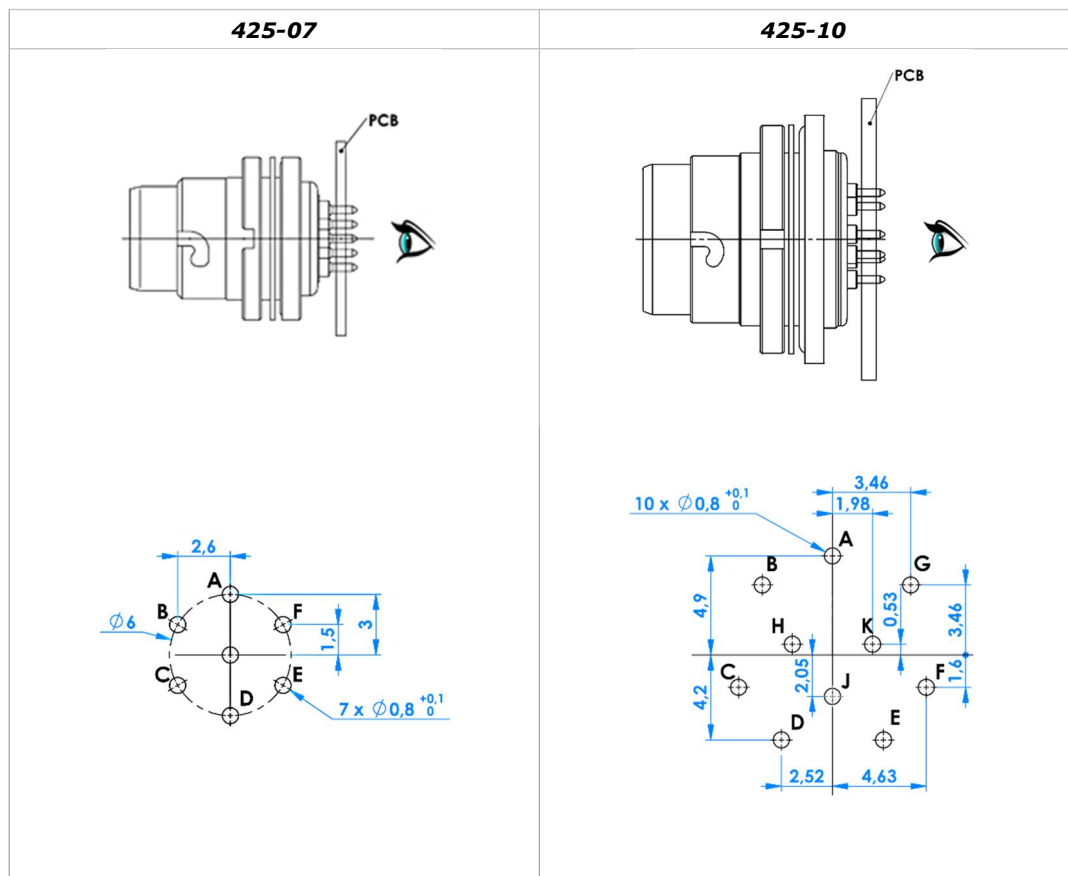
Receptacles are available with 7 or 10 contacts,  
 with 3 kinds of termination : long or short pin or solder cup.  
 They are meant to be installed from inside of the panel (See page 7).  
 x = coding key

## INFORMATIONS TABLES

### Recommended panel cut



### Recommended PC Board pattern

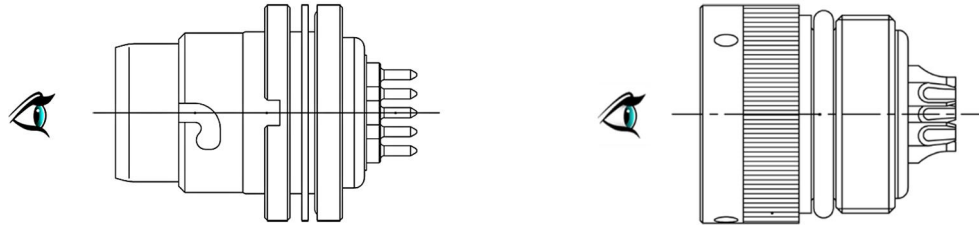


For any specific demand, please contact us.

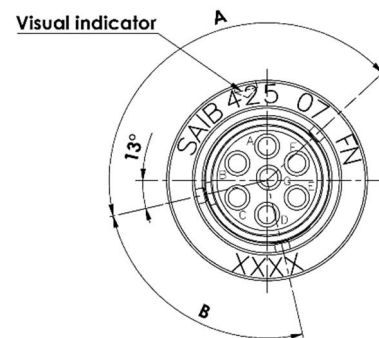
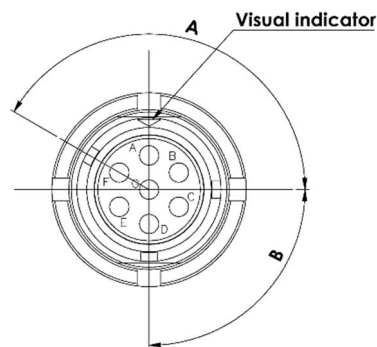
## POLARIZING FEATURES

### RECEPTACLE

### PLUG

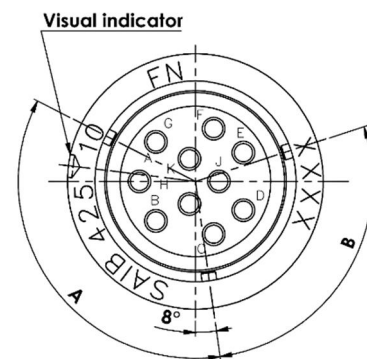
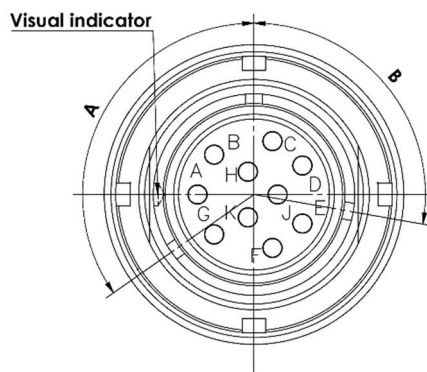


Connector with 7 contacts, from mating side.



| Polarization                   | N    | W      |
|--------------------------------|------|--------|
| A                              | 150° | 150°   |
| B                              | 90°  | 120°   |
| Color mark                     | Red  | Yellow |
| Other polarizations on demand. |      |        |

Connector with 10 contacts from mating side.



| Polarization                   | N    | W     |
|--------------------------------|------|-------|
| A                              | 125° | 130°  |
| B                              | 100° | 110°  |
| Color mark                     | Red  | White |
| Other polarizations on demand. |      |       |

For any specific demand, please contact us.



## BACKSHELLS FOR

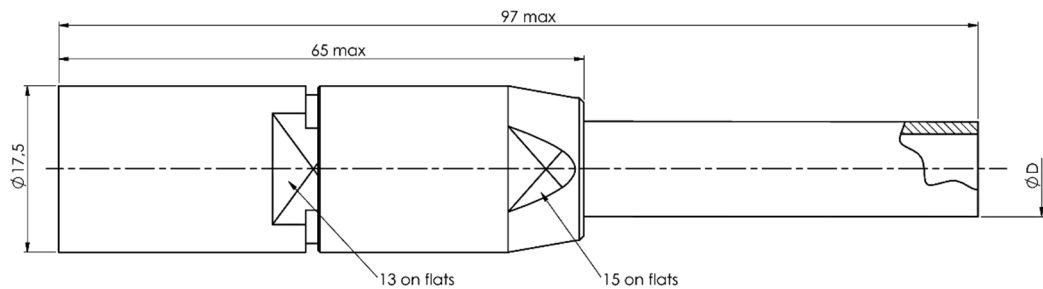
### EXTENSION



### PLUG

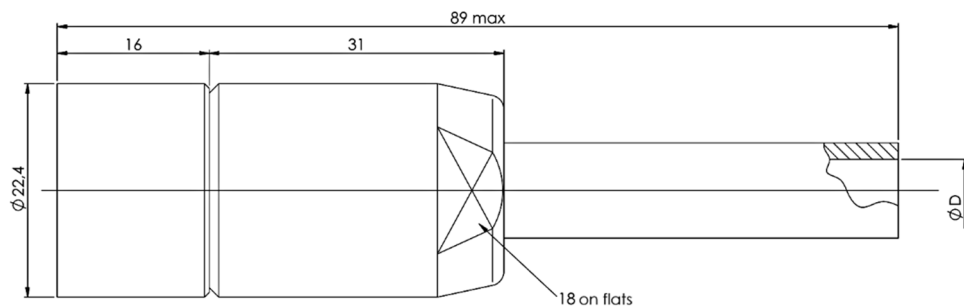


### STRAIGHT BACKSHELLS (7 contacts)



| Sleeve Ø D | Part number   |
|------------|---------------|
| 5.4 mm     | 425-07 FNM1.5 |
| 6.4 mm     | 425-07 FNM1.6 |
| 7.4 mm     | 425-07 FNM1.7 |

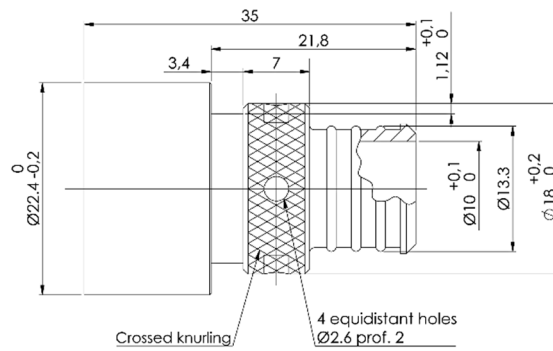
### STRAIGHT BACKSHELLS (10 contacts)



| Sleeve Ø D | Part number   |
|------------|---------------|
| 5.4 mm     | 425-10 FNM1.5 |
| 6.4 mm     | 425-10 FNM1.6 |
| 7.4 mm     | 425-10 FNM1.7 |

For the assembly description, a specification DT1238 is available on demand.

### SPECIAL BACKSHELLS



Backshell for band-it and heat-shrink sheath. For extension and plug with 10 contacts.

Part number

425-10 FNRA03

## CODIFICATION OF CAPS

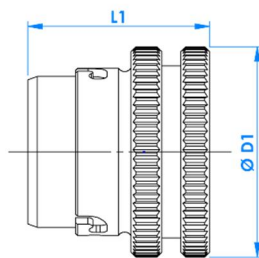
### METALLIC CAPS



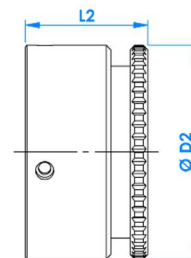
**A: for plug**



**B: for receptacle and extension**



|        | L1 | ØD1  |
|--------|----|------|
| 7 cts  | 19 | 17,6 |
| 10 cts | 19 | 22   |



|        | L2   | ØD2  |
|--------|------|------|
| 7 cts  | 12,9 | 17,6 |
| 10 cts | 12,9 | 22,4 |

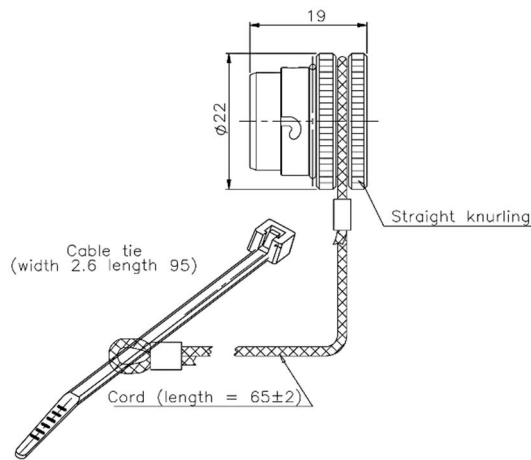
|   |   |   |   |   |   |   |   |   |   |
|---|---|---|---|---|---|---|---|---|---|
| Family connector:                                   | 425 -   | 0 | 7 | B | N | G | 1 | M | 1 |
| Number of contacts:                                 | 7 / 10  |   |   |   |   |   |   |   |   |
| Type :  | A = cap for plug / B = cap for receptacle and extension |   |   |   |   |   |   |   |   |
| Polarization:                                       | N / W   |   |   |   |   |   |   |   |   |
| Material:   | G = Stainless steel                                     |   |   |   |   |   |   |   |   |
| Finish:   | 1 = matte black   |   |   |   |   |   |   |   |   |
| Type of fixing:                                     | For A and B: T = plastic clamp                          |   |   |   |   |   |   |   |   |
|   | For B: M = metallic ring / P = plastic ring /           |   |   |   |   |   |   |   |   |
|   | V = eyelet for screw                                    |   |   |   |   |   |   |   |   |
| Number just for codification: without signification |   |   |   |   |   |   |   |   |   |

For any specific demand, please contact us.

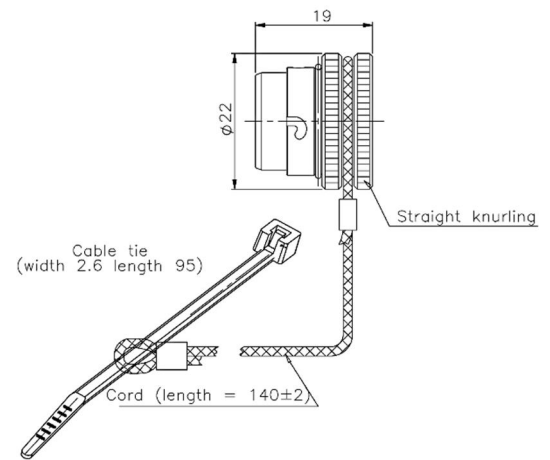


## METALLIC CAPS FOR PLUG

**425-10 AxG1 T3**



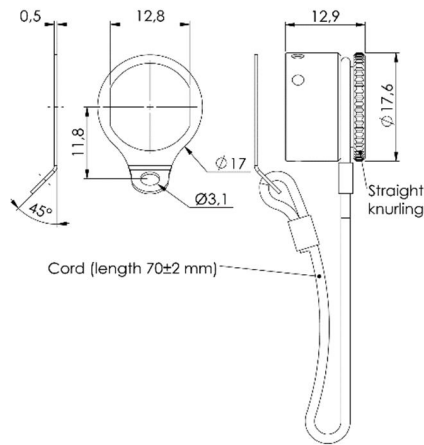
**425-10 AxG1 T4**



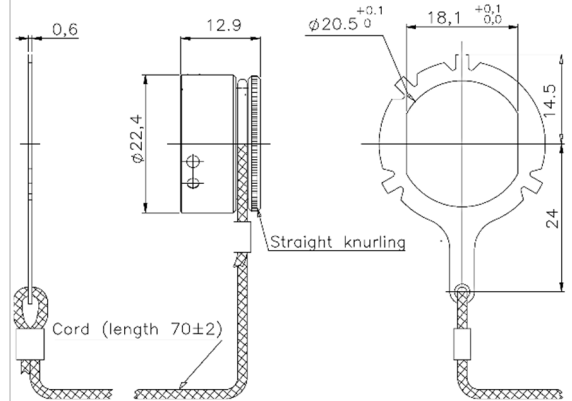
For any specific demand, please contact us.

## METALLIC CAPS FOR RECEPTACLE AND EXTENSION

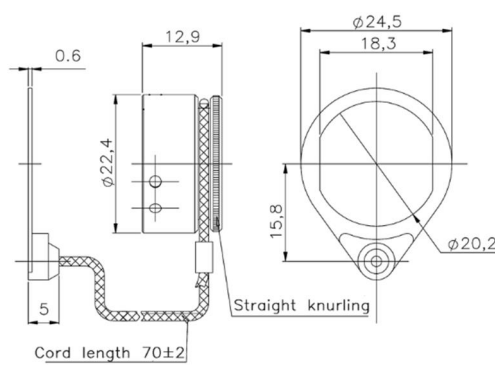
**425-07 BxG1 M1**



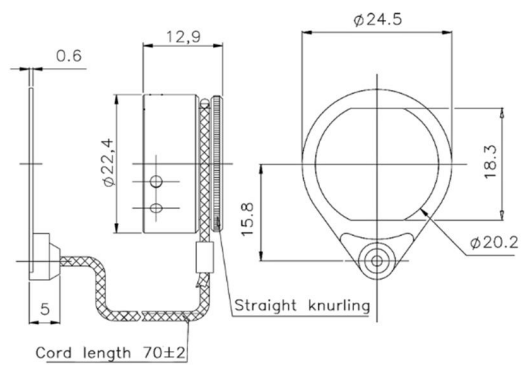
**425-10 BxG1 M1**



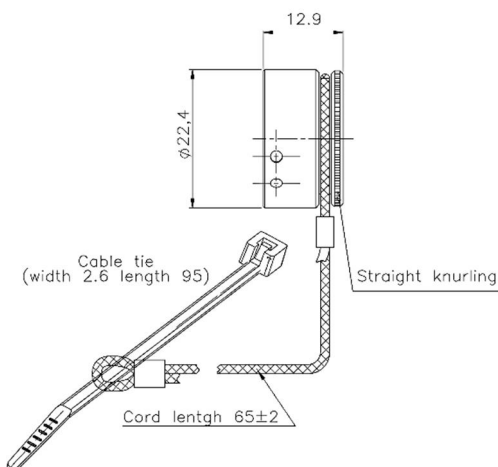
**425-10 BxG1 P1**



**425-10 BxG1 P2**



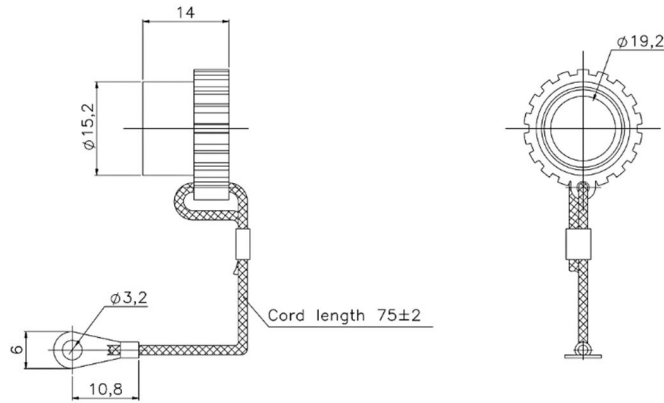
**425-10 BxG1 T3**



For any specific demand, please contact us.

## SPECIAL CAPS

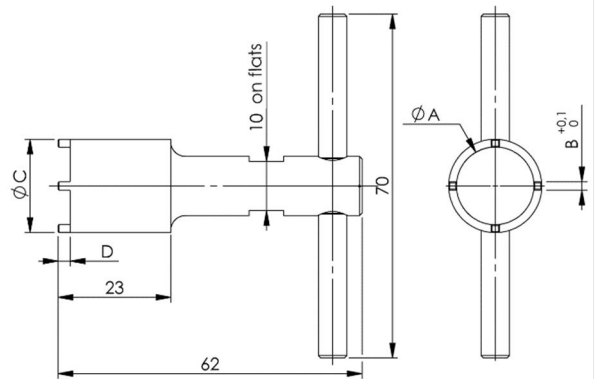
### Plastic cap for receptacle 425-07 BKC V1



## TIGHTENING TOOL

### Tool for the receptacle screw

| <b>Dimensions</b> |            |            |
|-------------------|------------|------------|
|                   | 425-07     | 425-10     |
| Ref               | 081-221-00 | 081-222-00 |
| A                 | 15,8       | 21,8       |
| B                 | 1,7        | 1,6        |
| C                 | 19         | 25         |
| D                 | 2,5        | 2,7        |



### TIGHTENING TORQUE(N.m)

| Size            | Receptacle |        | Backshell |        |
|-----------------|------------|--------|-----------|--------|
|                 | 425-07     | 425-10 | 425-07    | 425-10 |
| Stainless steel | 9          | 13     | 6         | 9      |

For any specific demand, please contact us.