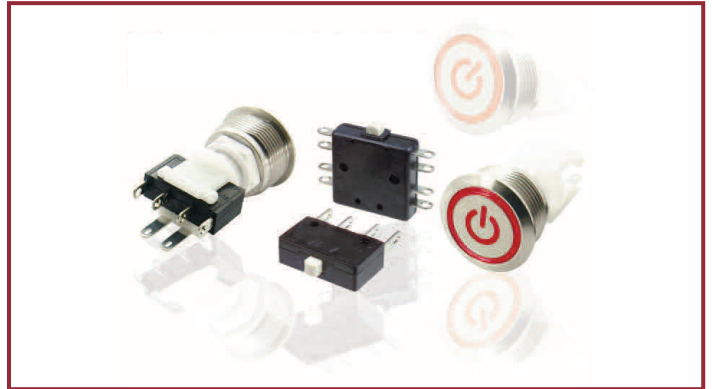


H48M SERIES

KEY FEATURES:

- Momentary or Maintained Action
- Stainless Steel Housing
- Non Illuminated Version and Spot or Halo Illumination
- Variety of LED colours
- Electro-Mechanical
- Panel Sealed to IP67
- ROHS Compliant
- 16-4044 & 16-530004: SPDT Form Z Silver contacts



MECHANICAL / ELECTRICAL CHARACTERISTICS

Circuit:

SPST-DB (Form Z)

Button Travel (nominal):

2.3mm (0.09")

Operating Force (nominal):

5.2N / 520 grams

Contact Bounce (nominal):

1 millisecond

Panel Thickness:

0.5 ~ 4.5mm (0.02" ~ 0.177")

Temperature Index:

-40°C to + 85°C (momentary)

-40°C to + 65°C (maintained)

Torque (maximum):

1.2 Nm (10 inch pounds)

LED Operating Temperature:

-25°C to + 185°C (-13°F to + 185°F)

Current Ratings:

10A @ 125/250 VAC (resistive)

10A @ 28VDC (inductive)

Actuator life (nominal):

500,000 cycles (momentary)

50,000 cycles (maintained)

ELECTRO-MECHANICAL

Dielectric Strength:

1000V AC

Insulation Resistance

1 GΩ

Contact Resistance:

50 mΩ maximum (initial)

H48M Series - 19mm Panel Sealed 10A Metal Pushbuttons

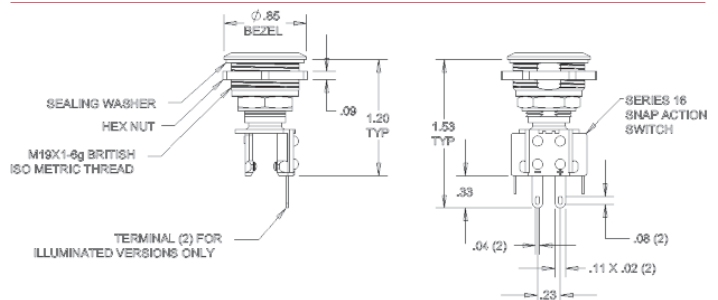
These rugged electromechanical pushbuttons are available in stainless steel or aluminium housings and come in momentary or maintained action.

Lighting options include centre spot or Halo illumination.

This 19mm size make the H48M ideal for many applications in the transportation, security, food processing and medical markets.

Contact us to learn more about the options available!

DIMENSIONS:



TYPICAL APPLICATIONS:

- Outdoor Controls
- Security Equipment
- Medical Equipment
- Food Processing Equipment
- Military Equipment
- Industrial Machinery
- Transportation: Mass-Transit, Fork Lifts Trucks...