

PRESA DA PANNELLO UNIPOLARE

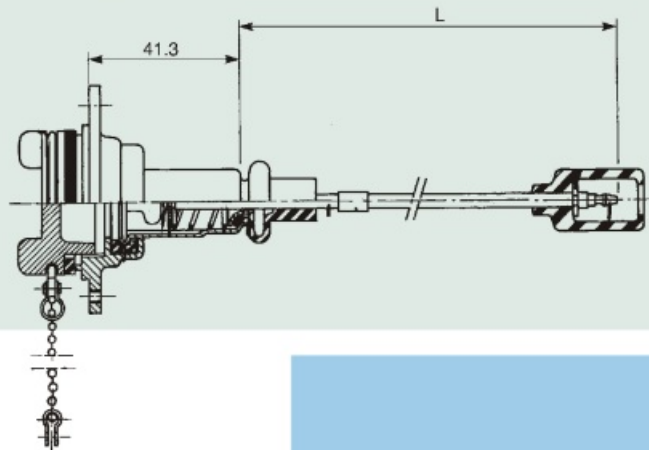
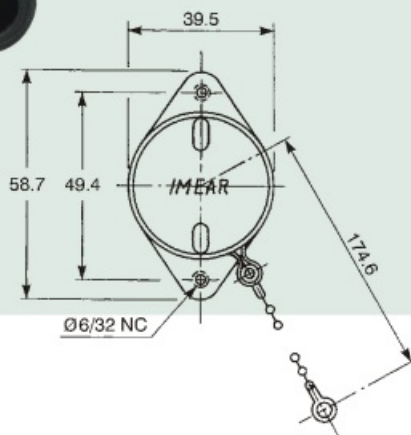
1-POLE PANEL SOCKET

- Corpo e tappo in lega di alluminio trattato e verniciato
- Fissaggio con viti
- *Housing and cap in treated-painted aluminium alloy*
- *Screw fixing*

IMEAR



PART NUMBER	L mm		ORDNANCE
0M56285000	120	●	7064604
0M05237000	160	●	
0M05684000	180		8376359
0M04317000	330		



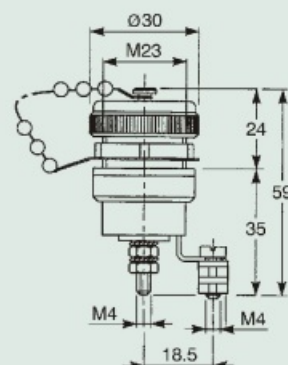
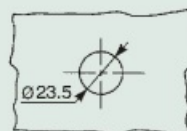
PRESA DA PANNELLO BIPOLARE

2-POLES PANEL SOCKET

- Corpo e tappo in acciaio passivato
- Fissaggio con dado
- Grado di protezione IP67 (0,2 Bar)
- *Housing and cap in passivated steel*
- *Nut fixing*
- *Protection degree IP67 (0,4 Bar)*



PN IMEAR
0M05839000



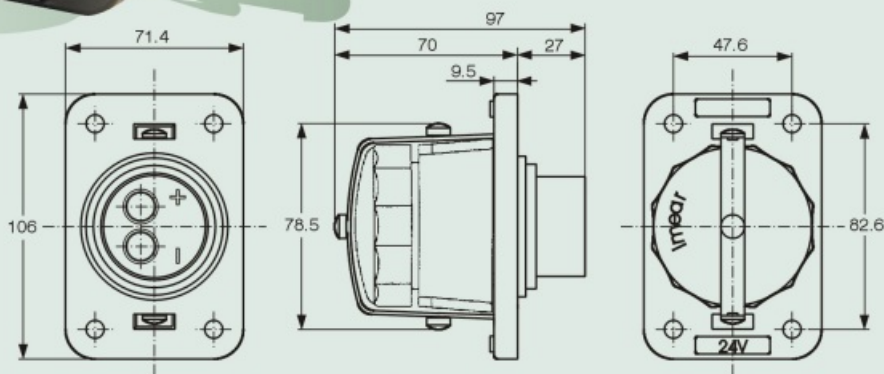
CONNETTORE FISSO BIPOLARE FEMMINA

BIPOLEAR FEMALE FIX CONNECTOR



- Corpo e coperchio in lega di alluminio trattato e verniciato
- Inserto in gomma
- Contatti in ottone argentato
- ORDNANCE 7321299

- Housing and cap in treated-painted aluminium alloy
- Rubber insert
- Silver-plated brass terminal
- ORDNANCE 7321299



1M01160006

ORDNANCE 7716082

PER CAVO 50÷95 mm²/AWG 0÷000
FOR CABLE SECTION 50÷95 mm²/AWG 0÷000



PART NUMBER	
0M01160000	KAKI - OLIVA I.R. I.R. MILITARY GREEN
0M04423000	ROSSO VV.FF. RED FIRE DEPARTMENT
0M06141000	BEIGE LIBIA BEIGE LIBYA
0M06142000	VERDE NATO I.R. I.R. GREEN NATO
0M06448000	VERDE GERMANIA GREEN GERMANY

1MB0168001

PER CAVO DA 35 mm²/AWG 2

FOR CABLE SECTION FROM 35 mm²/AWG 2



PART NUMBER	
0MB0172000	KAKI - OLIVA I.R. I.R. MILITARY GREEN
0MB0168000	ROSSO VV.FF. RED FIRE DEPARTMENT
0MB0169000	BEIGE LIBIA BEIGE LIBYA
0MB0170000	VERDE NATO I.R. I.R. GREEN NATO
0MB0171000	VERDE GERMANIA GREEN GERMANY

Versioni per montaggio calza schermante e manicotto preformato

Version with grounding continuity

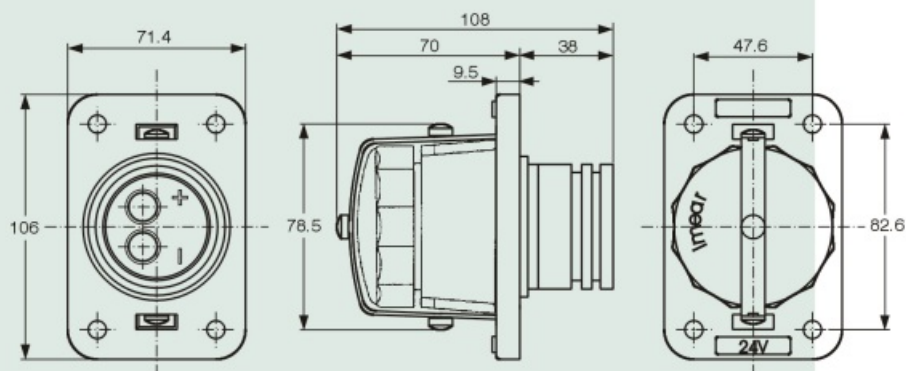
1M01160006

ORDNANCE 7716082

PER CAVO 50÷95 mm²/AWG 0÷000
FOR CABLE SECTION 50÷95 mm²/AWG 0÷000



PART NUMBER	
0M07767000	BIANCO OPACO MATT WHITE
0M08205000	VERDE NATO I.R. I.R. GREEN NATO
0MB0166000	KAKI OLIVA I.R. I.R. MILITARY GREEN
0MB0101000	VERDE SPAGNA GREEN SPAIN



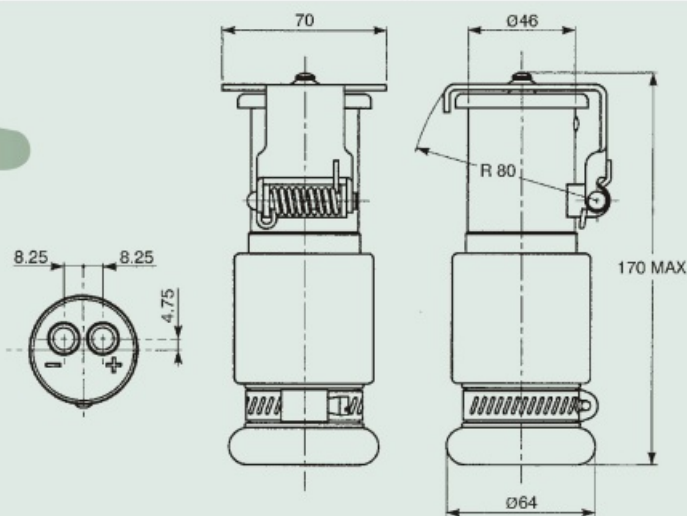
CONNETTORE MOBILE BIPOLARE MASCHIO

BIPOlar MALE MOBILE CONNECTOR



- Corpo e coperchio in acciaio trattato e verniciato
- Impugnatura in gomma
- Contatti in ottone argentato
- Ordnance No 7728882
- Per cavo 50÷120 mm²/AWG 0÷0000

- Housing and cover in treated-painted steel
- Rubber handle
- Silver plated brass terminals
- Ordnance No 7728882
- For cable section 50÷120 mm²/AWG 0÷0000



1M01286002



PART NUMBER	
0M01286000	KAKI - OLIVA I.R. I.R. MILITARY GREEN
0M03707000	KAKI - OLIVA MILITARY GREEN
0M04421000	ROSSO VV.FF. RED FIRE DEPARTMENT
0M08392000	VERDE NATO I.R. I.R. GREEN NATO
0M09314000	VERDE SPAGNA GREEN SPAIN

- Corpo in acciaio trattato
- Impugnatura in gomma
- Contatti in ottone argentato
- Per cavo 35÷70 mm²/AWG 2÷00

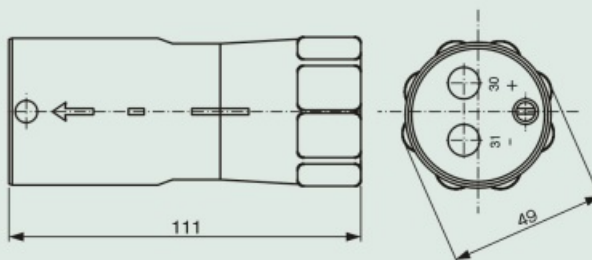
- Housing in treated steel
- Rubber handle
- Silver plated brass terminals
- For cable section 35÷70 mm²/AWG 2÷00



1M03285005



PART NUMBER	
0M03285000	OLIVE DRAB OLIVE DRAB



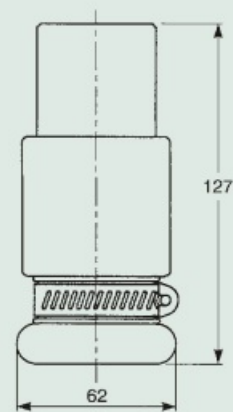
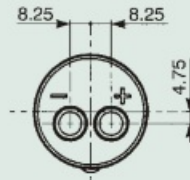
CONNETTORE MOBILE BIPOLARE FEMMINA BIPOLEAR FEMALE MOBILE CONNECTOR



- Corpo in lega di alluminio trattato e verniciato
- Impugnatura e inserto in gomma
- Contatti in ottone argentato
- Per cavo 50÷95 mm²/AWG 0÷000

- Housing in treated-painted aluminium alloy
- Rubber handle and insert
- Silver-plated brass terminals
- For cable section 50÷95 mm²/AWG 0÷000

1M01160006
ORDNANCE 7716082



PART NUMBER

0M05338000



VERDE NATO I.R.
I.R. GREEN NATO

CONNETTORE MOBILE COASSIALE COAXIAL MOBILE CONNECTOR



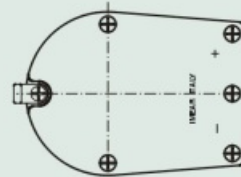
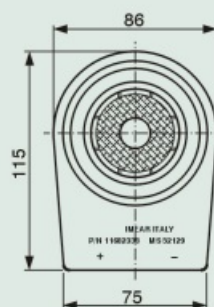
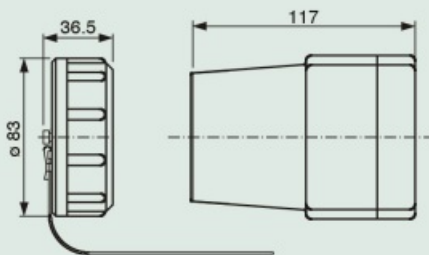
- Corpo e coperchio in gomma e contatti in ottone argentato
- Corrente di lavoro continuo: 150 A - 24 V
Corrente di lavoro per 360 sec:
con cavi AWG ØØ 1000 A - 24 V
con cavi AWG ØØØ 1500 A - 24 V
- Resistenza al contatto massimo: 0,5 mΩ
- Temperatura di esercizio: -55 +125 C°

- Rubber housing and cap and alloy silver plated contacts
- Continuous current: 150 A - 24 V
Continuous current for 360 sec:
with cables AWG ØØ 1000 A - 24 V
with cables AWG ØØØ 1500 A - 24 V
- Max contact resistance: 0,5 mΩ
- Continuous operating temperature range: - 55 +125 C°

PN IMEAR
0M09889000

PN ORDNANCE
11682338

MILITARY STANDARD
MS52129



CONNETTORE FISSO COASSIALE FIX COAXIAL SOCKET



IMEAR

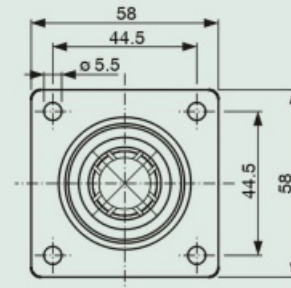
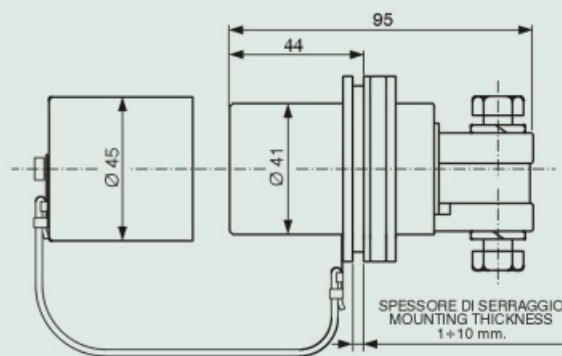
- Coperchio e guarnizioni isolanti in nylon, contatti in ottone argentato
- Corrente di lavoro continuo: 500 A - 24 V
- Corrente di lavoro per 360 sec: con cavi AWG ØØ 1000 A - 24 V con cavi AWG ØØØ 1500 A - 24 V
- Resistenza al contatto massimo: 0,5 mΩ
- Temperatura di esercizio: -55 +125 C°

- Nylon cap and insulating gaskets, copper alloy silver plated contacts
- Continuous current: 500 A - 24 v
- Continuous current for 360 sec: with cables AWG ØØ 1000 A - 24 V with cables AWG ØØØ 1500 A - 24 V
- Max contact resistance: 0,5 mΩ
- Continuous operating temperature range: - 55 + 125 C°

**PN IMEAR
OM09937000**

**PN ORDNANCE
11682345**

**MILITARY STANDARD
MS52131**



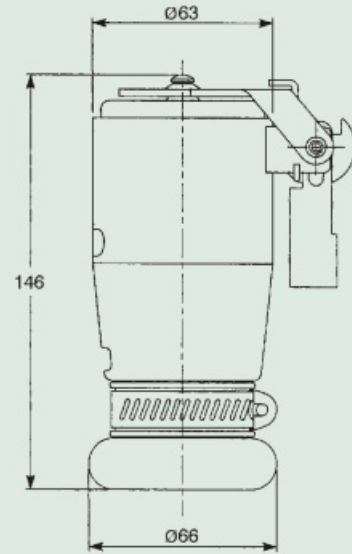
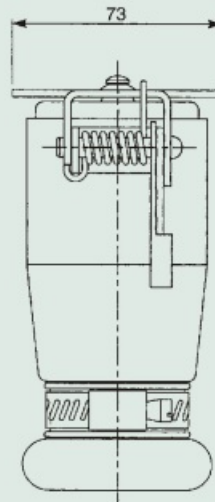
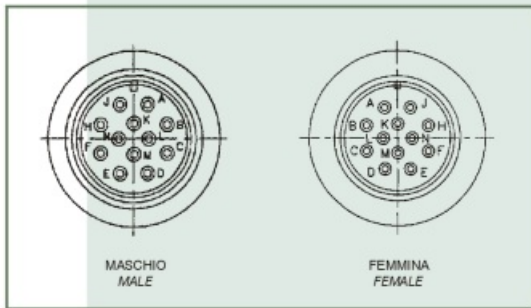
CONNETTORE MOBILE A 12 POLI

12-PIN MOBILE CONNECTOR



- Corpo in gomma con anima in acciaio trattato
- Coperchio in acciaio trattato e verniciato
- Contatti in ottone argentato
- Ordinance 7731427-7525172

- Rubber Housing with treated steel core
- Treated painted steel cover
- Silver-plate brass terminals
- Ordinance No 7731427-7525172



3M641N1017



MASCHIO A SALDARE SOLDER MALE-PIN

3C641N1017

MASCHIO A CRIMPARÉ CRIMP MALE-PIN

3M641N1000



FEMMINA A SALDARE SOLDER FEMALE-PIN

3M635N0510

FEMMINA A CRIMPARÉ CRIMP FEMALE-PIN

PART NUMBER	TIPO CONTATTO		CONTACT TYPE		
	MASCHIO MALE	FEMMINA FEMALE	SALDARE SOLDER	CRIMPARÉ CRIMP	
0M01255000	●		●		KAKI OLIVA I.R. I.R. MILITARY GREEN
0M01807000		●	●		KAKI OLIVA I.R. I.R. MILITARY GREEN
0M08342000	●		●		VERDE NATO I.R. I.R. GREEN NATO
0M08343000		●	●		VERDE NATO I.R. I.R. GREEN NATO
0M09715000		●		●	VERDE NATO I.R. I.R. GREEN NATO
0M09716000	●			●	VERDE NATO I.R. I.R. GREEN NATO
0MB0152000	●			●	KAKI OLIVA I.R. I.R. MILITARY GREEN
0MB0153000		●		●	KAKI OLIVA I.R. I.R. MILITARY GREEN

CONNETTORE FISSO A 12 POLI

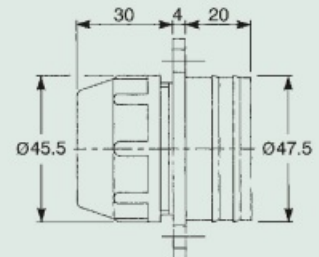
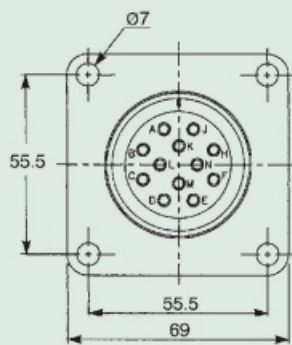
12-PIN FIX CONNECTOR



IMEAP

- Corpo e ghiera in lega di alluminio trattato
- Inserto in gomma
- Contatti in ottone argentato
- Ordinance 7731429 - 7255173

- Housing and nut in treated/painted aluminium alloy
- Rubber insert
- Silver-plated brass terminals
- Ordinance No 7731429 - 7255173



3M641N1017



MASCHIO A SALDARE SOLDER MALE-PIN

3C641N1017

MASCHIO A CRIMPARRE CRIMP MALE-PIN

3M641N1000



FEMMINA A SALDARE SOLDER FEMALE-PIN

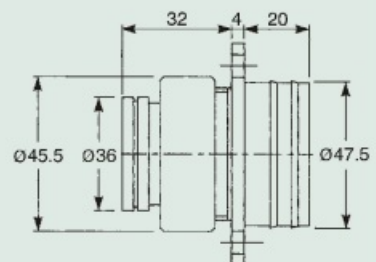
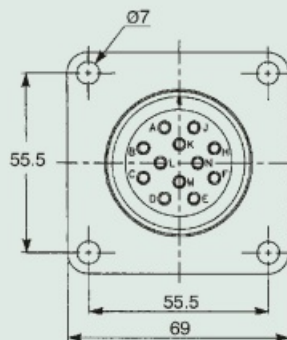
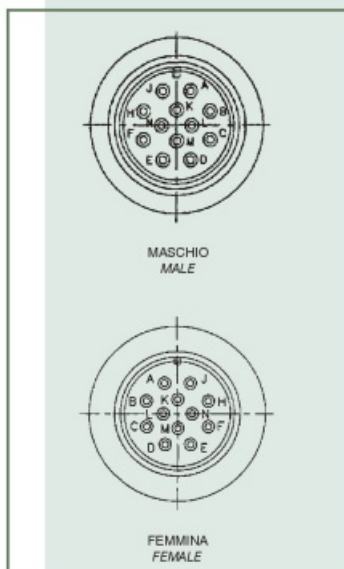
3M635N0510

FEMMINA A CRIMPARRE CRIMP FEMALE-PIN

PART NUMBER	TIPO CONTATTO		CONTACT TYPE		INSERTO INSERT	
	MASCHIO MALE	FEMMINA FEMALE	SALDARE SOLDER	CRIMPARRE CRIMP	MOBILE MOBILE	FISSO FIX
0M01916000	●		●			●
0M01917000		●	●			●
0M01918000		●	●		●	
0M02197000		●		●	●	
0M09709000		●		●		●
0M09710000	●			●		●

Versione per montaggio calza schermante e manicotto preformato

Version with grounding continuity



PART NUMBER	TIPO CONTATTO		CONTACT TYPE		INSERTO INSERT	
	MASCHIO MALE	FEMMINA FEMALE	SALDARE SOLDER	CRIMPARRE CRIMP	MOBILE MOBILE	FISSO FIX
0M06898000		●	●			●
0MB0155000	●		●			●

CONNETTORE FISSO BIPOLARE CON CABLAGGIO 2-POLES CABLED SOCKETS

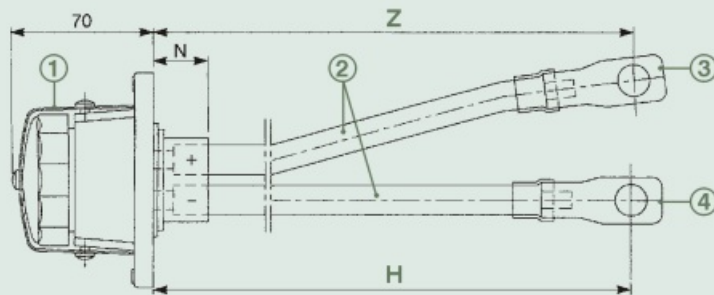



MEAP

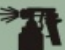
tipo A type



tipo B type



PART NUMBER	① 	②	Z	③	H	④
		Ø	L mm	Ø	L mm	Ø
0M01964000	KAKI OLIVA I.R. I.R. MILITARY GREEN	35 mm ²	315	A - 10.5	315	A - 10.5
0M02742000	VERDE NATO I.R. I.R. GREEN NATO	AWG 0	280	A - 12.5	850	A - 12.5
0M03516000	VERDE NATO I.R. I.R. GREEN NATO	AWG 0	200	A - 12.5	1620	A - 12.5
0M03659000	KAKI OLIVA I.R. I.R. MILITARY GREEN	50 mm ²	2000	B - 13.5	500	B - 13.5
0M04422000	ROSSO VV.FF. RED FIRE DEPARTMENT	50 mm ²	1050	B - 13.5	280	B - 13.5
0C04325000	KAKI OLIVA I.R. I.R. MILITARY GREEN	50 mm ²	1050	B - 13.5	280	A - 10.5
0M05400000	BEIGE LIBIA BEIGE LIBYA	35 mm ²	1430	A - 8.5	550	A - 10.5
0M06091000	KAKI OLIVA I.R. I.R. MILITARY GREEN	50 mm ²	2000	A - 13.5	300	A - 10.5
0M06187000	KAKI OLIVA I.R. I.R. MILITARY GREEN	50 mm ²	1000	A - 13.5	200	A - 10.5
0M06268000	KAKI OLIVA I.R. I.R. MILITARY GREEN	35 mm ²	600	A - 10.5	820	A - 10.5
0M06372000	VERDE GERMANIA GREEN GERMANY	AWG 0	1520	A - 8.5	270	A - 12.5
0M06452000	VERDE GERMANIA GREEN GERMANY	AWG 0	920	A - 10.5	270	A - 12.5

PART NUMBER	① 	② ∅	Z L mm	③ ∅	H L mm	④ ∅
0M06517000	VERDE GERMANIA GREEN GERMANY	AWG 0	360	B - 12.5	380	A - 12.5
0M06518000	VERDE GERMANIA GREEN GERMANY	AWG 0	360	B - 12.5	250	B - 12.5
0M06835000	VERDE NATO I.R. I.R. GREEN NATO	50 mm ²	2500	A - 10.5	500	A - 13.5
0M06970000	VERDE NATO I.R. I.R. GREEN NATO	AWG 0	320	A - 8.5	900	A - 13.5
0M07587000	KAKI OLIVA I.R. I.R. MILITARY GREEN	35 mm ²	900	A - 8.5	380	A - 10.5
0C07699000	ROSSO VV. FF. RED FIRE DEPARTMENT	50 mm ²	1750	B - 13.5	300	A - 10.5
0M08318000	VERDE NATO I.R. I.R. GREEN NATO	AWG 0	280	A - 10.5	1350	A - 10.5
0M08876000	VERDE NATO I.R. I.R. GREEN NATO	AWG 0	280	A - 10.5	1350	A - 10.5
0M09471000	VERDE NATO I.R. I.R. GREEN NATO	AWG 1	175	A - 10.5	245	B - 10.5
0M09854000	VERDE NATO I.R. I.R. GREEN NATO	AWG 0	1000	A - 10.5	300	A - 12.5



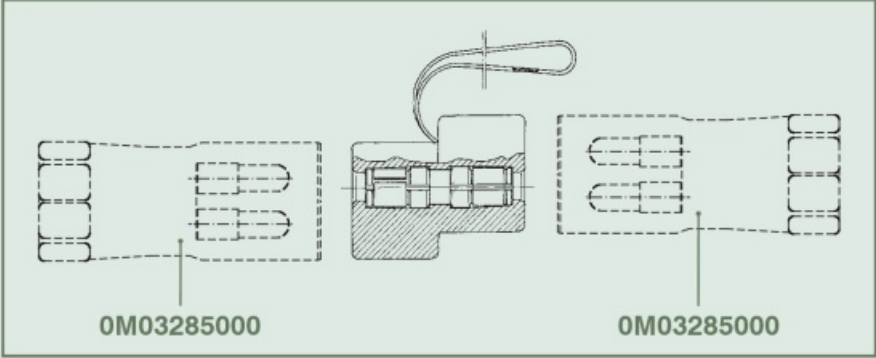
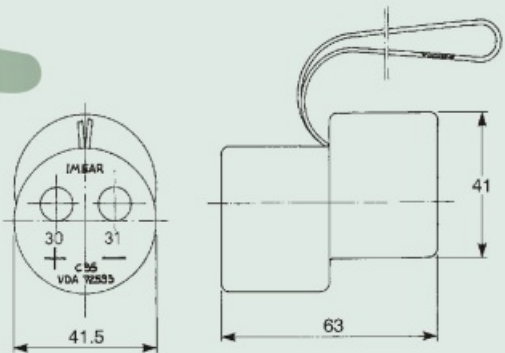
RACCORDO CLUTCH CONNECTOR

- Corpo in gomma nera SC615 MIL-R-3065
- Contatti femmina in ottone argentato
- Black rubber housing SC615 MIL-R-3065
- Silver-plated brass terminal

IMEAR



**PN IMEAR
OM03286000**



ADATTATORI ADAPTERS

**da connettore volante coassiale
a presa fissa bipolare**
*from coaxial mobile plug
into fix bipolar socket*

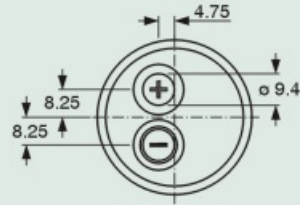
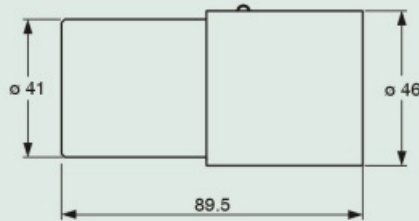


- Corpo in acciaio nichelato e contatti in ottone argentato
- Corrente di lavoro continuo: 150 A - 24 V
Corrente di lavoro per 360 sec: 300 A - 24 V
Corrente di lavoro per 120 sec: 600 A - 24 V
- Caduta di tensione massima: 10 mV
- Temperatura di esercizio: -55 +125 C°

- Nickel plated steel housing and copper alloy silver plated contacts
- Continuous current: 150 A - 24 V
Continuous current for 360 sec: 300 A - 24 V
Continuous current for 120 sec: 600 A - 24 V
- Voltage drop max: 10 mV
- Continuous operating temperature range: - 55 +125 C°

PN IMEAR
0M09890000

PN ORDNANCE
11677570



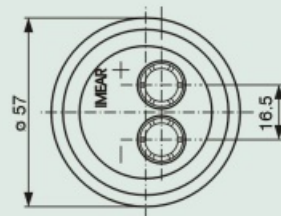
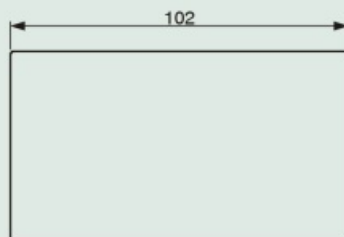
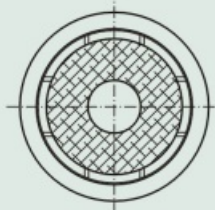
**da connettore volante bipolare
a presa fissa coassiale**
*from bipolar mobile plug
into fix coaxial socket*



PN IMEAR
0M09921000

- Corpo in acciaio nichelato e contatti in ottone argentato
- Corrente di lavoro continuo: 150 A - 24 V
Corrente di lavoro per 360 sec: 300 A - 24 V
Corrente di lavoro per 120 sec: 600 A - 24 V
- Caduta di tensione massima: 10 mV
- Temperatura di esercizio: -55 +125 C°

- Nickel plated steel housing and copper alloy silver plated contacts
- Continuous current: 150 A - 24 V
Continuous current for 360 sec: 300 A - 24 V
Continuous current for 120 sec: 600 A - 24 V
- Voltage drop max: 10 mV
- Continuous operating temperature range: - 55 +125 C°

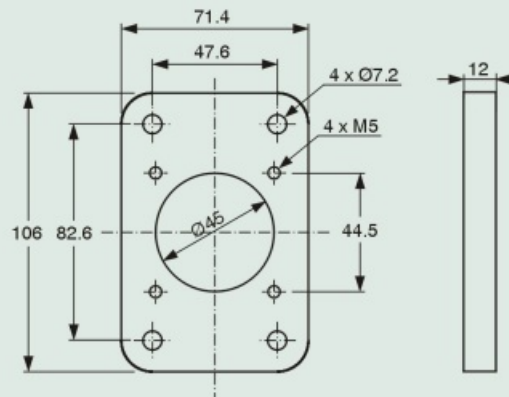




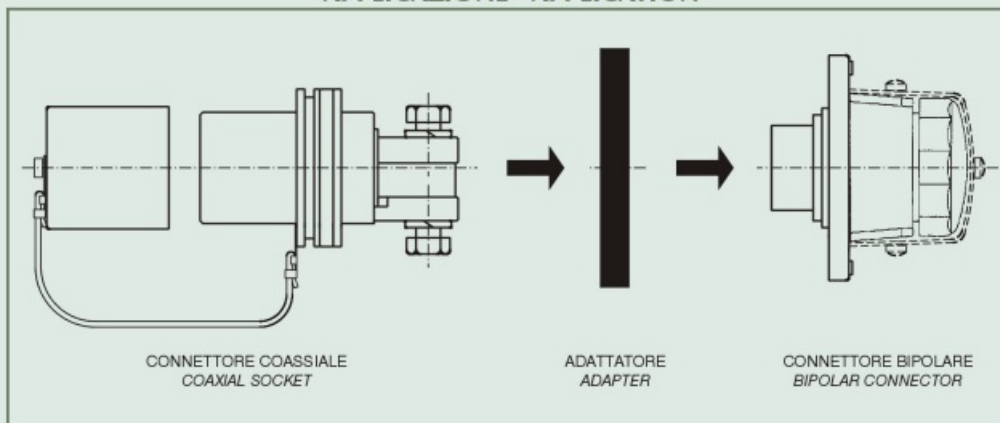
- Materiale: alluminio anodizzato
- Material: anodized aluminium

IMEAR

P/N IMEAR
1M09888008



APPLICAZIONE - APPLICATION



COPERCHIO DI PROTEZIONE PER CONNETTORE FISSO 12 POLI

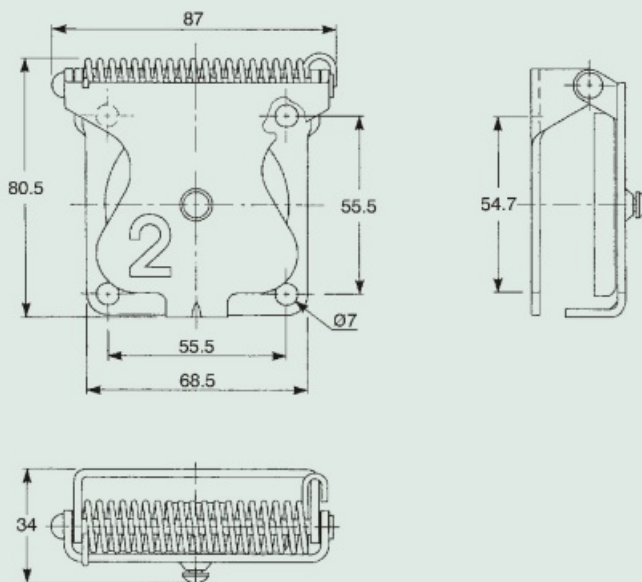
COVER CAP FOR 12-PIN SOCKET





MEAP

- Struttura in acciaio trattato e verniciato
- Ordinance 7731428
- VG 96923

- Steel treated-painted frame
- Ordinance No 7731428
- VG 96923



PART NUMBER	"2"	
OM01897000		KAKI - OLIVA I.R. I.R. MILITARY GREEN
OM05095000		SABBIA SAND
OM05981000		VERDE NATO I.R. I.R. GREEN NATO
OM06078000		NERO OPACO MATT BLACK
OM08322000		BEIGE LIBIA BEIGE LIBYA
OM08323000		VERDE GERMANIA GREEN GERMANY
OM08324000		KAKI - OLIVA MILITARY GREEN
OM08627000	●	VERDE NATO I.R. I.R. GREEN NATO

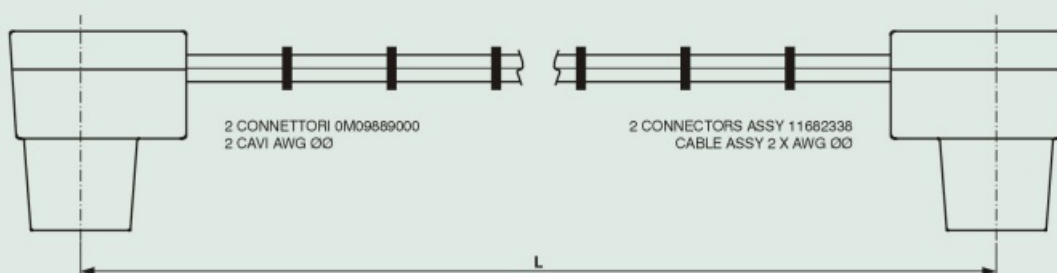
PART NUMBER	"2"	

CAVI INTERVEICOLARI DI POTENZA INTERVEHICLE POWER CABLE

con connettori coassiali (STANAG 4074)
with coaxial connectors (STANAG 4074)



PN ORDNANCE
11682336

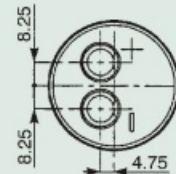



PART NUMBER	PART NUMBER ORDNANCE	L mm	L in.
OMB0043000	11682336 - 3	1800	72
OMB0044000	11682336 - 4	3600	144
OM09775000	11682336 - 1	6000	240
OMB0042000	11682336 - 2	15.000	600
OMB0045000	11682336 - 5	22.000	900

PART NUMBER	PART NUMBER ORDNANCE	L mm	L in.

CAVI INTERVEICOLARI BIPOLARI

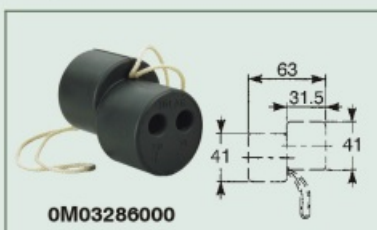
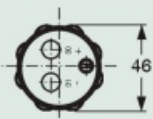
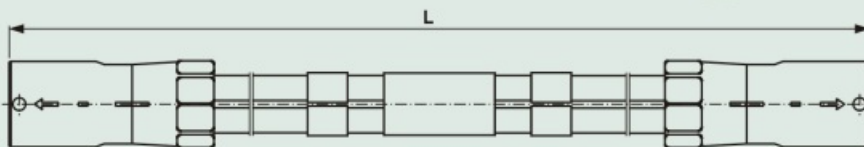
2-POLES INTERVEHICLE CABLES




PART NUMBER	L	Ø mm ²	CONN. 1	CONN. 2	
0C04420000	4350	63	0C04421000	0C04921000	ROSSO VV.FF. RED FIRE DEPARTMENT
0M02741000	4350	63	0M08392000	0M09392000	VERDE NATO I.R. I.R. GREEN NATO
0M07691000	6000	63	0M03707000	0M03707000	KAKI OLIVA MILITARY GREEN
0M08521000	6000	63	0M01286000	0M01286000	KAKI OLIVA MILITARY GREEN
0M09318000	6000	63	0M09314000	0M09314000	VERDE SPAGNA GREEN SPAIN



0M03286000

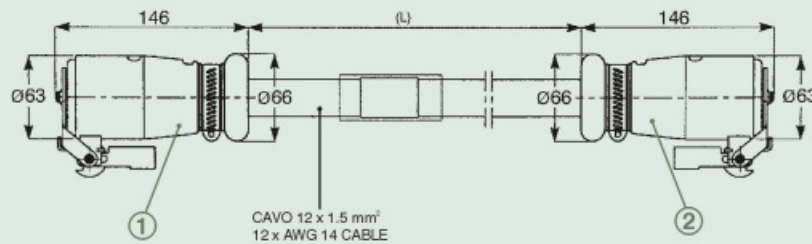


PART NUMBER	L	Ø mm ²	CONN. 1	CONN. 2	
0M01937000	3500	35	0M03285000	0M03285000	OLIVE DRABE
0M06256000	4000	35	0M03285000	0M03285000	OLIVE DRABE
0M08101000	5000	35	0M03285000	0M03285000	OLIVE DRABE
0M08774000	6050	35	0M03285000	0M03285000	OLIVE DRABE
0M09352000	10.000	35	0M03285000	0M03285000	OLIVE DRABE
0M05193000	15.000	35	0M03285000	0M03285000	OLIVE DRABE
0MB0154000	20.000	35	0M03285000	0M03285000	OLIVE DRABE


CAVI INTERVEICOLARI A 12 POLI INTERVEHICLE 12-POLE CABLES



meap



PART NUMBER	L	CONN. 1	CONN. 2	
0M09146000	1500	0M01250000	0M01250000	KAKI OLIVA I.R. I.R. MILITARY GREEN
0M09276000	1700	0M08342000	0M08343000	VERDE NATO I.R. I.R. GREEN NATO
0M07542000	2000	0M01255000	0M01807000	KAKI OLIVA I.R. I.R. MILITARY GREEN
0M09313000	2000	0M08342000	0M08343000	VERDE NATO I.R. I.R. GREEN NATO
0M09277000	2450	0M08342000	0M08343000	VERDE NATO I.R. I.R. GREEN NATO
0M09259000	2800	0M08342000	0M08343000	VERDE NATO I.R. I.R. GREEN NATO
0M07757000	3000	0M01255000	0M01807000	KAKI OLIVA I.R. I.R. MILITARY GREEN
0M09156000	3000	0M08342000	0M08343000	VERDE NATO I.R. I.R. GREEN NATO
0M03284000	3500	0M01255000	0M01807000	KAKI OLIVA I.R. I.R. MILITARY GREEN
0M09578000	3500	0M01255000	0M01255000	KAKI OLIVA I.R. I.R. MILITARY GREEN
0M08841000	4000	0M01255000	0M01807000	KAKI OLIVA I.R. I.R. MILITARY GREEN
0M08758000	5000	0M01255000	0M01807000	KAKI OLIVA I.R. I.R. MILITARY GREEN

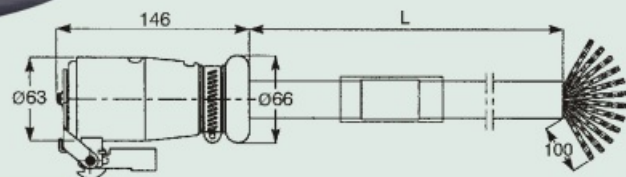
PART NUMBER	L	CONN. 1	CONN. 2	
0M09157000	7000	0M01255000	0M01807000	KAKI OLIVA I.R. I.R. MILITARY GREEN

CAVI INTERVEICOLARI A 12 POLI INTERVEHICLE 12-POLE CABLES

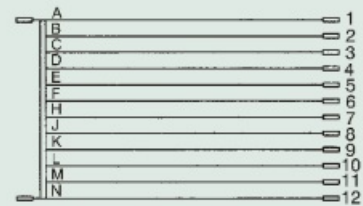
IMEAP



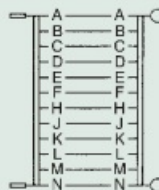
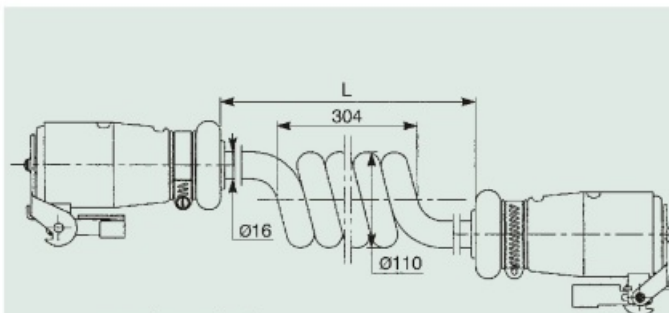
CAVO 12 x 1.5 mm²
12 x AWG 14 CABLE



PART NUMBER	L	CONN. 1	CONN. 2	
OMB0156000	1500	0M08342000	—	VERDE NATO I.R. I.R. GREEN NATO
OMB0157000	2000	0M08342000	—	VERDE NATO I.R. I.R. GREEN NATO
OMB0158000	2500	0M08342000	—	VERDE NATO I.R. I.R. GREEN NATO
OM09158000	3000	0M08342000	—	VERDE NATO I.R. I.R. GREEN NATO
OM04956000	3500	0M01255000	—	VERDE NATO I.R. I.R. GREEN NATO
OMB0159000	3500	0M08342000	—	VERDE NATO I.R. I.R. GREEN NATO
OMB0160000	4000	0M08342000	—	VERDE NATO I.R. I.R. GREEN NATO
OM07766000	4300	0M08342000	—	VERDE NATO I.R. I.R. GREEN NATO



CAVI INTERVEICOLARI MULTIPOLARI ESTENSIBILI CURLY CORE INTERVEHICLE 12-POLE CABLES



PART NUMBER	L	CONN. 1	CONN. 2	
OM09823000	500/4000	0M08342000	0M08343000	VERDE NATO I.R. I.R. GREEN NATO
OM08438000	500/4000	0M01255000	0M01807000	KAKI OLIVA I.R. I.R. MILITARY GREEN

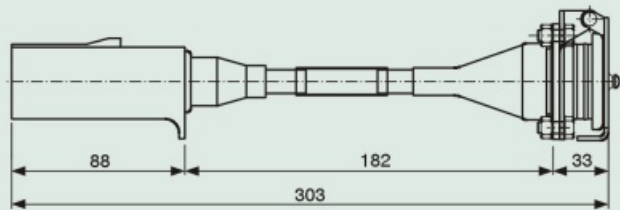
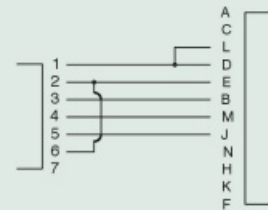
CAVI ADATTATORI INTERVEICOLARI INTERVEHICLE ADAPTER CABLES

- Interconnessione per traino stradale fra motrice civile 24V e rimorchio militare
- Interconnexion for road towing between civil truck 24V and military trailer

IMEAR



PN IMEAR
0M09620000

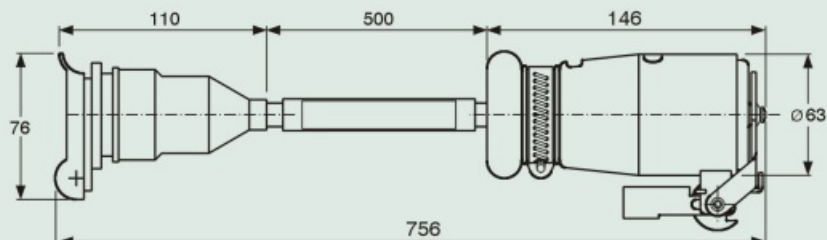
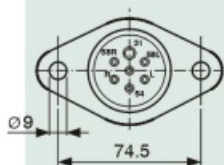
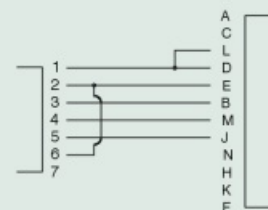


FEMMINA
FEMALE

- Interconnessione per traino stradale fra motrice militare e rimorchio civile 24V
- Interconnexion for road towing between military truck and civil trailer 24V



PN IMEAR
0M09964000



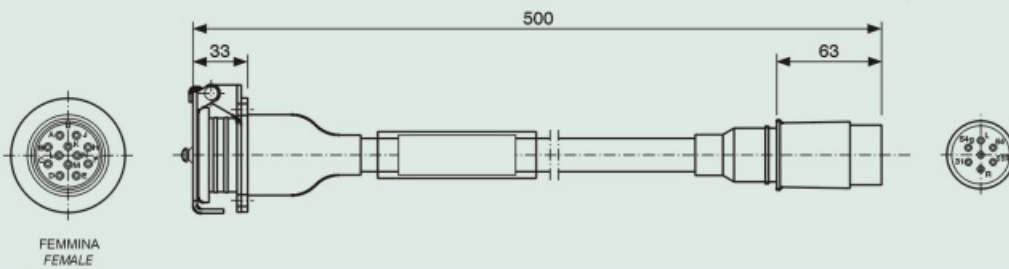
MASCHIO
MALE

- Interconnessione per traino stradale fra motrice civile 12V e rimorchio militare
- Interconnexion for road towing between civil truck 12V and military trailer

IMEAR



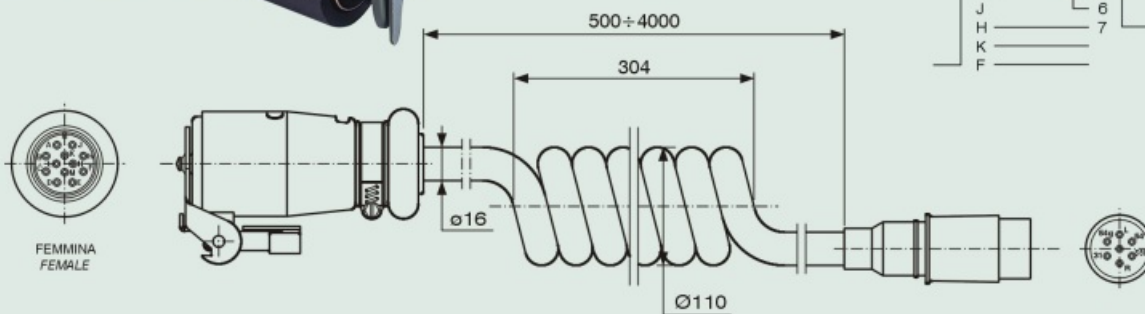
**PN IMEAR
0M09997000**



- Interconnessione per traino stradale fra motrice militare e rimorchio civile 12V
- Interconnexion for road towing between military truck and civil trailer 12V



**PN IMEAR
0M09998000**



CONNETTORI IMPERMEABILI WATERPROOF CONNECTORS

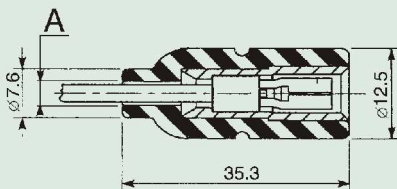


- Involucro in gomma secondo specifiche MIL-R-3065
- Rubber cap according to MIL-R-3065 specifications



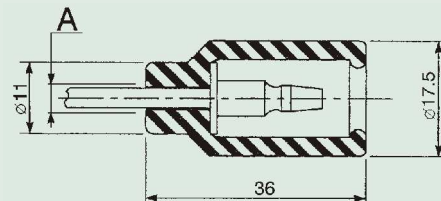
MASCHIO MALE

PART NUMBER	A
0M03416000	∅ 2 mm / AWG 18
0M03107000	∅ 2.5 mm / AWG 16
0M03110000	∅ 3.5 mm / AWG 14
0M03319000	∅ 5 mm / AWG 12



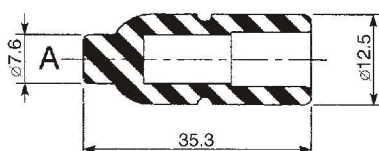
FEMMINA FEMALE

PART NUMBER	A
0M03421000	∅ 2 mm / AWG 18
0M03109000	∅ 2.5 mm / AWG 16
0M03111000	∅ 3.5 mm / AWG 14
0M03320000	∅ 5 mm / AWG 12



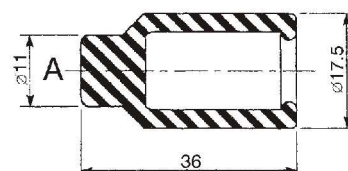
MASCHIO MALE

PART NUMBER	A
1M55497011	CHIUSO CLOSED



FEMMINA FEMALE

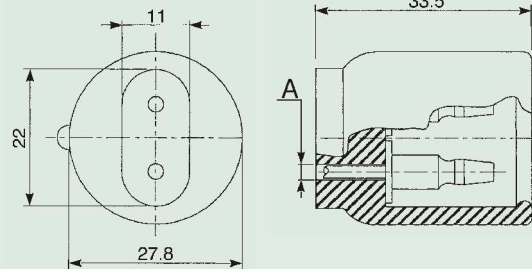
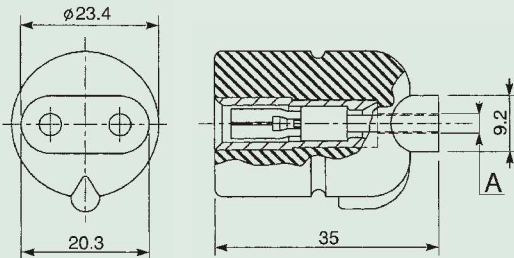
PART NUMBER	A
1M55581011	CHIUSO CLOSED



CONNETTORI IMPERMEABILI DOPPI DOUBLE WATERPROOF CONNECTORS



- Involucro in gomma secondo specifiche MIL-R-3065
- Rubber cap according to MIL-R-3065 specifications



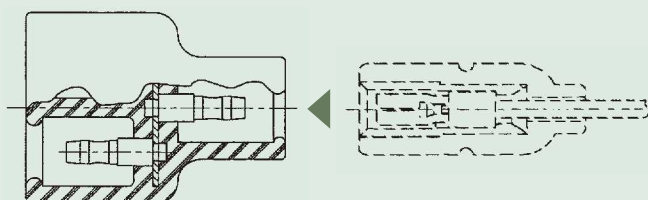
PART NUMBER	A
OM03422000	⌀ 3.5 mm / AWG 14

PART NUMBER	A
OM05699000	⌀ 2.5 mm / AWG 14

DERIVAZIONE IMPERMEABILE WATERPROOF SHUNT



PART NUMBER: **OM03108000**



- OM03416000
- OM03107000
- OM03110000
- OM03319000

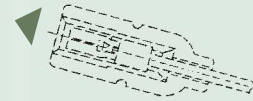
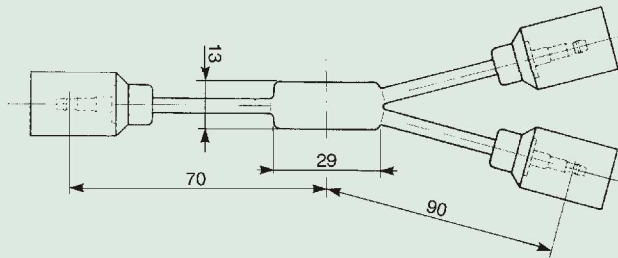
DERIVAZIONE A TRE VIE THREE-WAYS WATERPROOF SHUNT



- Derivazione in gomma con cavo AWG 14 specifica MIL-C-13486
- Rubber shunt with AWG 14 cable MIL-C-13486 specification



PART NUMBER: **OM02200000**



- OM03416000
- OM03107000
- OM03110000
- OM03319000