

P/N : 80-6000-000

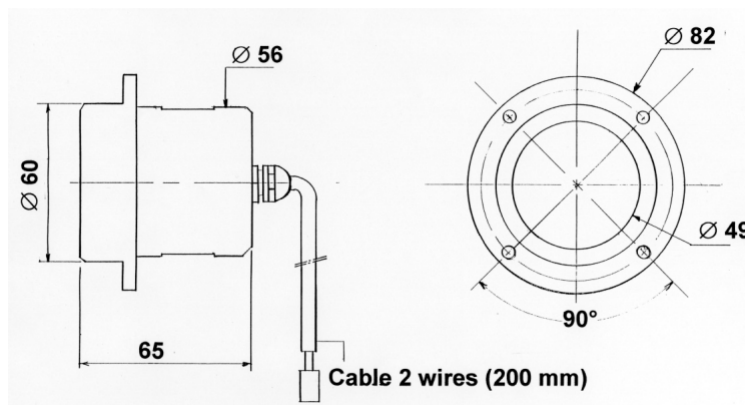
INFRARED PROJECTOR



DESCRIPTION

- ❑ The infrared projector enables to internally and externally illuminate places where discretion is required.
- ❑ The light wavelength used makes this light invisible to naked eye, but highly visible with Night Vision Goggles. IL (II-III)
- ❑ A specific power supply integrated in the light gives the capability to work at nominal light power, even in case of supply voltage variation.

PHYSICAL DIMENSIONS



TECHNICAL DATA

■ Power supply	10V to 32V-10W
■ Optics	IR power : 2 800 mW Wavelength : $880 \pm 20\text{nM}$
■ Light source	55 Leds Because it does not use classical bulbs, it provides an exceptional reliability.
■ Weight	350g
■ Body	Strong anodised metal waterproof / shock proof
■ Lifetime	50 000 H
■ Connection output	Wires.
■ Approx angle beam	120° .
■ Approx illuminate distance	80m (depend on night level).