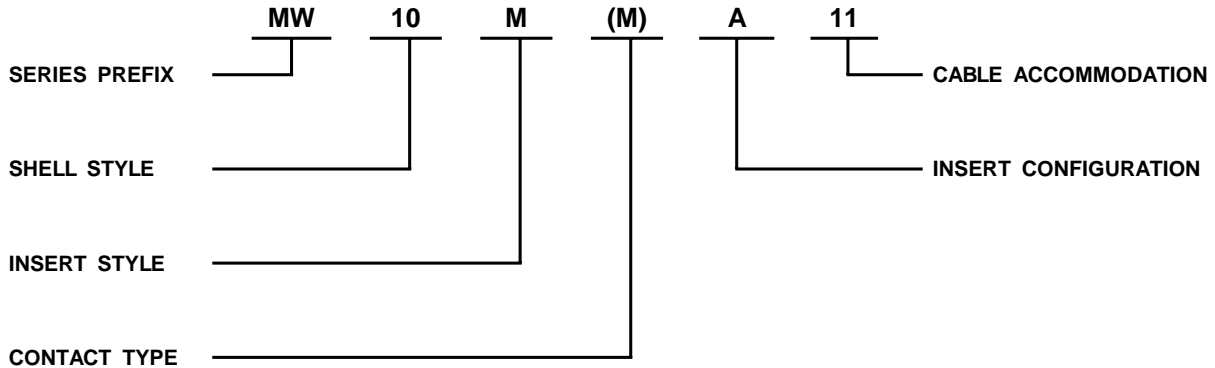


MIL-DTL-55181

MILITARY DESIGNATOR



SHELL STYLE

- 10 Plug
- 20 Receptacle

INSERT STYLE

- F Female (Socket contacts)
- M Male (Pin contacts)

CONTACT TYPE

- M Molded contacts, solder termination.
 - R Removable contacts.
 - T Mold contacts, taper pin termination.
- NOTE : At time of publication, this series available in contact Type M only.

INSERT CONFIGURATION

- A 4 #12AWG contacts.
- B 9 #20AWG contacts.
- D 18 #20AWG contacts.

CABLE ACCOMMODATION

CODE	CABLE RANGE
00	USED FOR RECEPTACLES
11	.292 to .343
13	.323 to .406
15	.386 to .468
17	.448 to .531

Material & Finish Shells

- Plugs Aluminum alloy, .0003 cadmium plate with olive drab chromate
- Receptacles Brass, .0003 cadmium plate with olive drab chromate
- Nosepieces Alloy Steel, .0003 cadmium plate with olive drab chromate
- Drawscrews Stainless steel

Contacts

- Socket High conductivity copper alloy with beryllium copper spring element, .000030 gold over .001 copper
- Pin Yellow brass, .000030 gold over .0001 copper
- Insulators Neoprene and/or glass-filled diallyl phthalate, type GDI-30 per MIL-M-19833

ELECTRICAL

Dielectric strength

- 4 contact 2000 V RMS
- 9, 18 contacts 1500 V RMS
- Insulation Resistance 1000 Megohms min. at 500 V DC

Voltage Drop

- 4 contact 20 mV at 35A
- 9, 18 contacts 25 mV at 7.5A

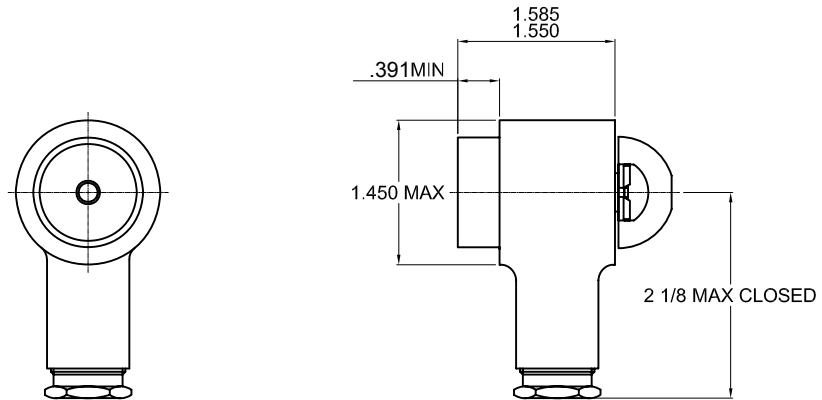
MECHANICAL

- Air pressure 2.5psi
- Water Immersion 6Ft., 48hours
- Durability 500 cycles with a coupling torque of 12 in.-lbs.
- Contact Retention 10 lbs
- Insert strength 400 lbs

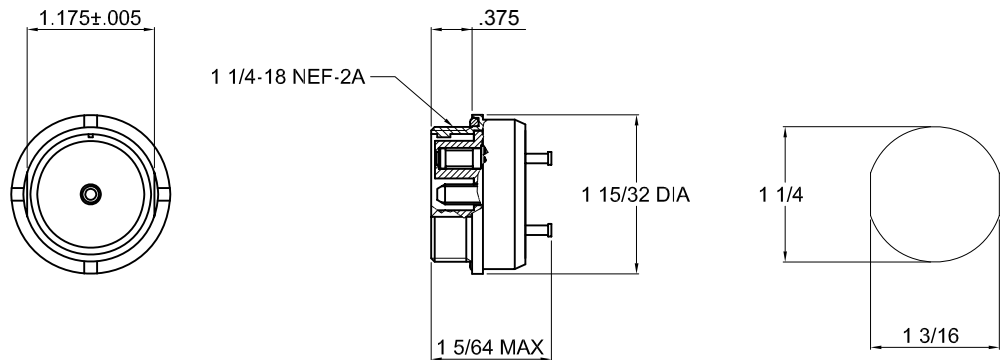
MIL-DTL-55181

DIMENSIONS

MW10
PLUG

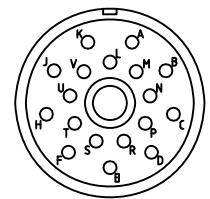
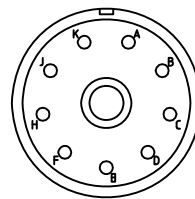
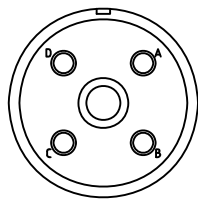


MW20
RECEPTACLE



INSERT CONFIGURATIONS

FACE VIEW OF PIN INSERTS SHOWN



MIL DESIGNATOR
NUMBER OF CONTACTS

A
4 #12

B
9 #20

D
18 #20