

MIL-DTL-5015 Series 3400,  
MIL-DTL-26482 Series 2,  
AS81703 Series 3,  
MIL-DTL-83723 Series I &  
III, 40M39569, DEF 5326-3,  
EN 2997, EN 3646,  
ESC 10, ESC 11, LN 29504,  
NFC93422 Series HE302,  
PAN 6432-1, PAN 6432-2,  
PATT 602

**M85049/51 S 10 W**

Basic Part No. \_\_\_\_\_  
S = Self-Locking \_\_\_\_\_  
-1- = Non-Self-Locking \_\_\_\_\_  
Dash No. \_\_\_\_\_

Material and Finish Designator  
A = Aluminum, Black Anodize  
N = Aluminum, Electroless Nickel  
W = Aluminum, 1,000 Hour Cadmium  
Olive Drab Over Electroless  
Nickel

**MS3418-10 C**

**SUPERCEDED SPEC.**

Basic Part No. \_\_\_\_\_  
(Non-Self-Locking Only) \_\_\_\_\_  
Dash No. \_\_\_\_\_

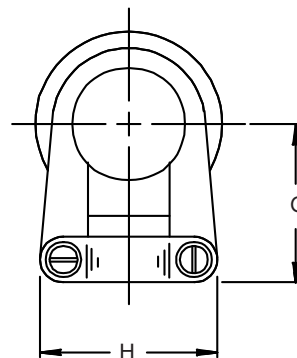
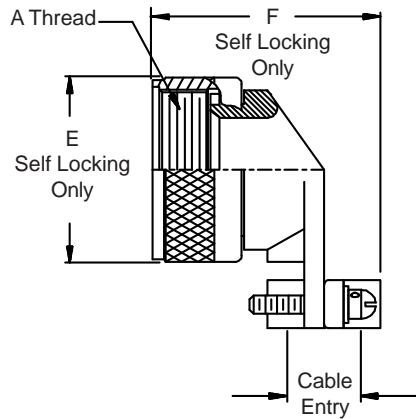
Material and Finish Designator  
A = Alum., 1,000 Hour Cadmium Olive  
Drab Over Electroless Nickel  
C = Aluminum, Cadmium Olive Drab  
G = Aluminum, Black Anodize  
N = Aluminum, Electroless Nickel

**M83723/15A-10 A**

**SUPERCEDED SPEC.**

Basic Part No. \_\_\_\_\_  
(Non-Self-Locking Only) \_\_\_\_\_  
Dash No. \_\_\_\_\_

Finish Designator  
A = Non-Conductive, Black Anodize  
R = Conductive, Electroless Nickel



**AS85049/51, MS3418, and M83723/15A  
Strain Reliefs**

**TABLE I**

Dash No.	A Thread Class 2B	E Dia Max Self-Locking	F Max Self-Locking	G		H		Cable Entry	
				±.062 (1.6)	(1.6)	±.020 (.5)	(.5)	Min	Max
3**	.562 - 24 UNEF	n/a	n/a	.777 (19.7)	.732 (18.6)	.732 (18.6)	.125 (3.2)	.204 (5.2)	
8	.500 - 20 UNF	.885 (22.5)	1.257 (31.9)	.746 (18.9)	.732 (18.6)	.732 (18.6)	.125 (3.2)	.204 (5.2)	
10	.625 - 24 UNEF	1.010 (25.7)	1.339 (34.0)	.805 (20.4)	.812 (20.6)	.812 (20.6)	.187 (4.7)	.286 (7.3)	
12	.750 - 20 UNEF	1.135 (28.8)	1.532 (38.9)	.867 (22.0)	.968 (24.6)	.968 (24.6)	.291 (7.4)	.416 (10.6)	
14	.875 - 20 UNEF	1.260 (32.0)	1.592 (40.4)	.930 (23.6)	1.026 (26.1)	1.026 (26.1)	.351 (8.9)	.476 (12.1)	
16	1.000 - 20 UNEF	1.385 (35.2)	1.741 (44.2)	.994 (25.2)	1.299 (33.0)	1.299 (33.0)	.501 (12.7)	.626 (15.9)	
18	1.062 - 18 UNEF	1.510 (38.4)	1.853 (47.1)	1.171 (29.7)	1.431 (36.3)	1.431 (36.3)	.518 (13.2)	.706 (17.9)	
20	1.188 - 18 UNEF	1.635 (41.5)	1.978 (50.2)	1.234 (31.2)	1.537 (39.0)	1.537 (39.0)	.581 (14.8)	.831 (21.1)	
22	1.313 - 18 UNEF	1.760 (44.7)	2.108 (53.5)	1.296 (32.9)	1.633 (41.5)	1.633 (41.5)	.644 (16.4)	.956 (24.3)	
24	1.438 - 18 UNEF	1.885 (47.9)	2.228 (56.6)	1.358 (34.5)	1.755 (44.6)	1.755 (44.6)	.706 (17.9)	1.081 (27.5)	
28*	1.750 - 18 UNS	2.135 (54.2)	2.528 (64.2)	1.572 (39.9)	2.000 (50.8)	2.000 (50.8)	.750 (19.1)	1.187 (30.1)	
32*	2.000 - 18 UNS	2.395 (60.8)	2.591 (65.8)	1.797 (45.6)	2.366 (60.1)	2.366 (60.1)	.875 (22.2)	1.250 (31.8)	
36*	2.250 - 16 UN	2.635 (66.9)	2.716 (69.0)	1.922 (48.8)	2.476 (62.9)	2.476 (62.9)	.938 (23.8)	1.375 (34.9)	
40*	2.500 - 16 UN	2.885 (73.3)	2.841 (72.2)	2.047 (52.0)	2.546 (64.7)	2.546 (64.7)	.938 (23.8)	1.500 (38.1)	
44*	2.750 - 16 UN	3.135 (79.6)	3.091 (78.5)	2.296 (58.3)	2.840 (72.1)	2.840 (72.1)	1.188 (30.2)	1.750 (44.5)	
48*	3.000 - 16 UN	3.385 (86.0)	3.216 (81.7)	2.421 (61.5)	3.324 (84.4)	3.324 (84.4)	1.312 (33.3)	1.875 (47.6)	
61**	1.500 - 18 UNEF	n/a	n/a	1.388 (35.3)	1.755 (44.6)	1.755 (44.6)	.706 (17.9)	1.081 (27.5)	

\* Not Available in Self Locking  
+ Not Available under M83723/15A

1. For complete dimensions see applicable Military Specification.
2. Metric dimensions (mm) are indicated in parentheses.
3. Cable Entry is defined as the accommodation entry for the wire bundle or cable.  
Dimensions are not intended for inspection criteria.