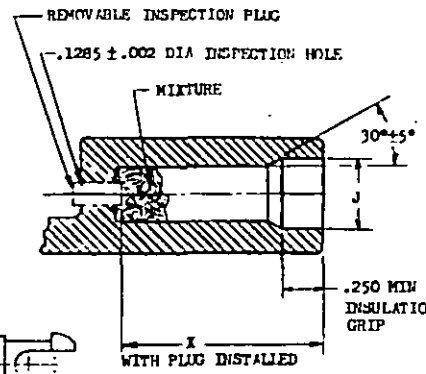
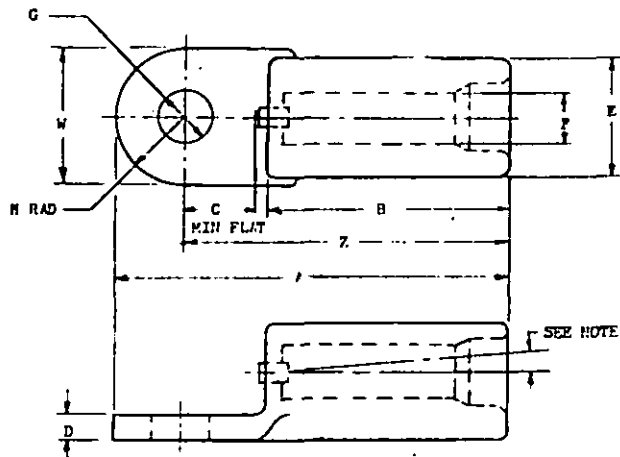


FED. SUP CLASS
5940



INSPECTION PLUG (TYP)

DASH NO.	CABLE SIZE	STD SIZE	A ±.032	B ±.025	C ±.020	D ±.015	E ±.020	F ±.003	G DIA		H ±.008	J DIA ±.010	W ±.016	Z ±.020	X ±.020
									MAX	MIN					
-1	8	NO. 10	1.37	1.067	.372	.096	.355	.167	.203	.193	.304	.250	.688	1.515	.800
-2		1/4	.285		.260										
-3		5/16	.343		.320										
-4		3/8	.410		.385										
-5	6	NO. 10	2.014	1.152	.372	.112	.413	.217	.203	.193	.304	.313	.688	1.670	1.005
-6		1/4	.285		.260										
-7		5/16	.343		.320										
-8		3/8	.410		.385										
-9	4	NO. 10	2.139	1.317	.372	.128	.510	.273	.203	.193	.304	.375	.688	1.795	1.130
-10		1/4	.285		.260										
-11		5/16	.343		.320										
-12		3/8	.410		.385										
-13	2	1/4	2.467	1.458	.466	.113	.601	.342	.285	.260	.437	.469	.875	2.030	1.271
-14		5/16	.622		.320										
-15		3/8	.535		.385										
-16		1/2	.535		.510										
-17	1	1/4	2.467	1.458	.466	.113	.633	.376	.285	.260	.437	.516	.875	2.030	1.271
-18		5/16	.622		.320										
-19		3/8	.535		.385										
-20		1/2	.535		.510										
-21	0	1/4	2.529	1.520	.466	.159	.699	.425	.285	.260	.437	.563	.875	2.092	1.333
-22		5/16	.622		.320										
-23		3/8	.535		.385										
-24		1/2	.535		.510										
-25	00	5/16	2.591	1.582	.466	.190	.789	.405	.343	.320	.437	.625	.875	2.154	1.395
-26		3/8	.622		.320										
-27		1/2	.535		.510										
-28		5/16	.535		.510										
-29	000	3/8	2.786	1.645	.551	.836	.547	.500	.410	.385	.500	.701	1.000	2.296	1.458
-30		1/2	.535		.510										
-31	0000	3/8	2.952	1.801	.551	.206	.847	.554	.410	.385	.500	.766	1.000	2.452	1.614
-31		1/2	.535		.510										

- MATERIAL: WROUGHT ALUMINUM, MINIMUM CONDUCTIVITY 57% IACS.
- TONGUE HARDNESS
MAXIMUM ROCKWELL H-95
MINIMUM ROCKWELL H-65
BARREL HARDNESS
MAXIMUM ROCKWELL H-35
- TONGUE SURFACES PARALLEL WITHIN .005 INCHES. TONGUE SURFACE FINISH TO BE 63 MICROINCHES MAXIMUM BEFORE PLATING. TERMINAL SHALL BE OF ONE PIECE CONSTRUCTION.
- A MAXIMUM OF 5° PERMITTED IN UNCRIMPED TERMINALS. AFTER CRIMPING, THE CENTER LINE OF THE BARREL SHALL BE PARALLEL WITHIN ±1° WITH THE FLAT OF THE TONGUE.
- FINISH: TIN PLATE - ELECTRODEPOSITED .0003 INCH NOMINAL.
- DIMENSIONS IN INCHES.

FOR DESIGN FEATURE PURPOSES, THIS STANDARD TAKES PRECEDENCE OVER PROCUREMENT DOCUMENTS REFERENCED HEREIN. REFERENCED DOCUMENTS SHALL BE OF THE ISSUE IN EFFECT ON DATE OF INVITATIONS FOR BID.

Reviewer: USAF - 11, 85 Navy - Weps Army - EL
 User: Norm
 This military standard is approved by the Department of Defense and is mandatory on all activities. Solicitation for all new engineering and design applications and for repetitive use shall be made from this document.

APPROVED 25 Jan 60 REVISED 15 May 64

P.A. Navy-WEPS Other Cust USAF-11 ARMY-EL	TITLE TERMINAL-LUG, CRIMP STYLE, STRAIGHT TYPE, FOR ALUMINUM AIRCRAFT WIRE, CLASS 1	MILITARY STANDARD MS25435
PROCUREMENT SPECIFICATION MIL-T-7099	SUPERSEDES:	SHEET 1 OF 1