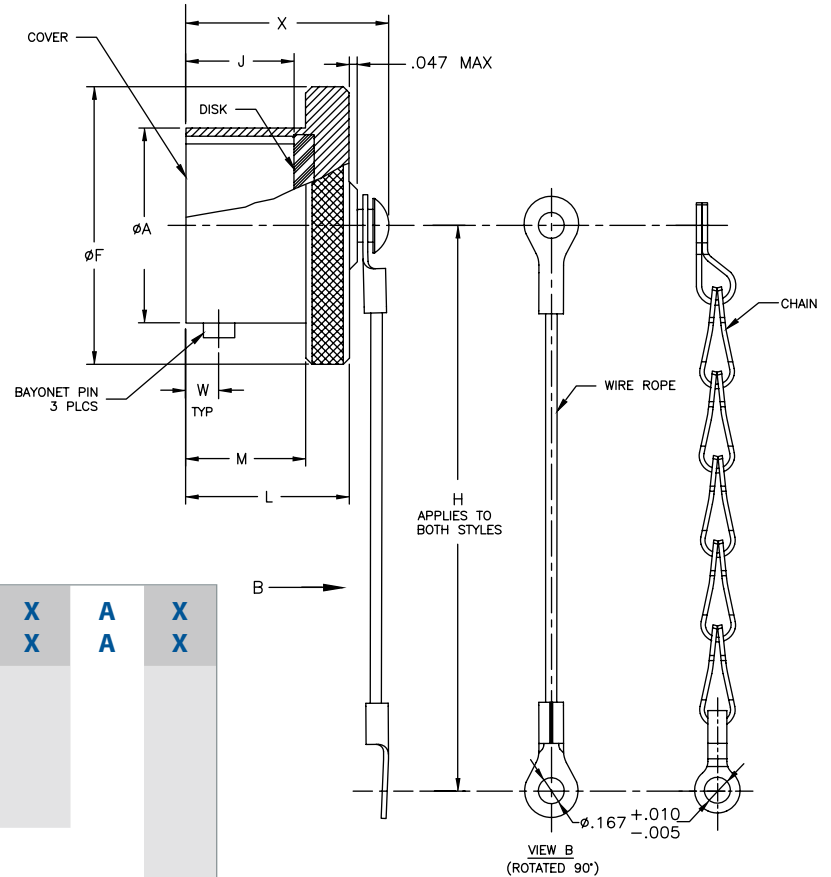


MS3180
Protective Cover, Plug
AE1580



Protective Cover, Plug



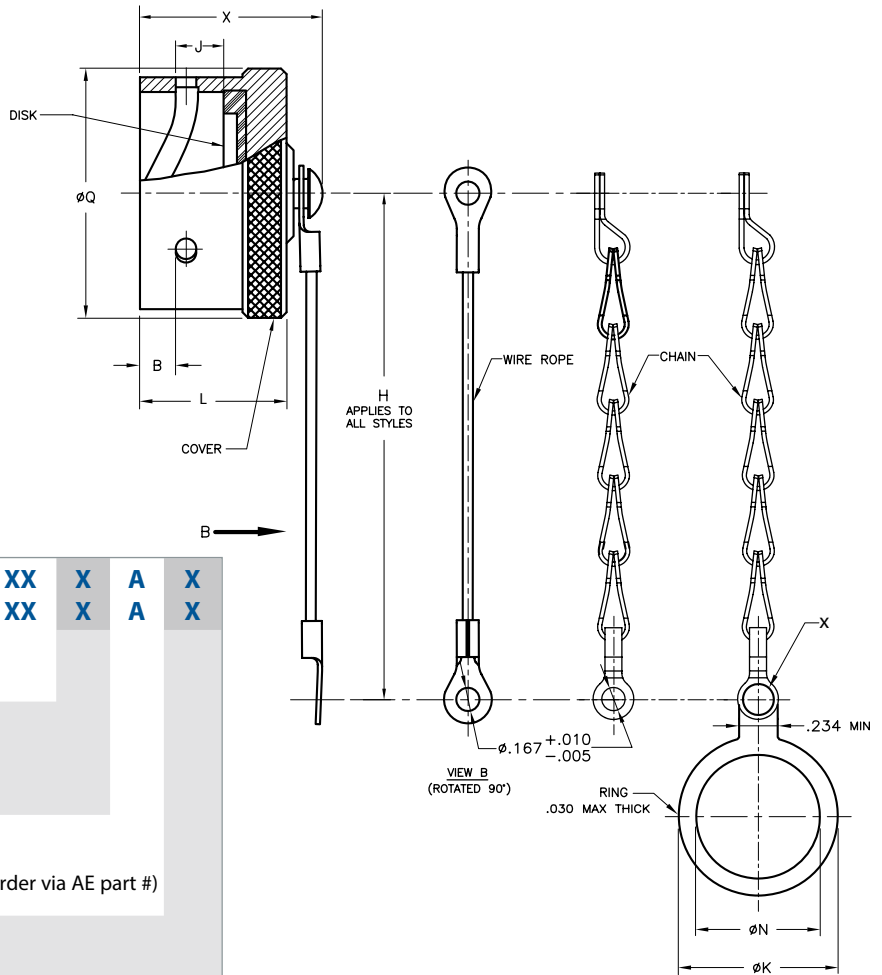
Part Number Configuration

MIL. Prefix	MS3180-	XX	X	A	X
Aero Prefix	AE1580-	XX	X	A	X
Shell Size	8 THRU 24 (Note: single digit for shell size 8)				
Style	C = Chain Assembly R = Wire Rope Assembly				
Material Finish	A = Aluminum, Hard Black Anodized (Consult factory for other plating options, must order via AE part #)				
Chain/Wire Rope Lengh	Blank - for standard length "H" L= 5.000 +.500/-.250				

SHELL SIZE	øA		øF MAX.		H		J		L Max.		M		W		X MAX	
	+0.01 -0.005	+0.025 -0.127			+0.500 -0.250	+12.70 -6.35	+0.010 -0.020	+0.254 -0.508			+0.031 -0.000	+0.787 -0.000				
	inch	mm	inch	mm	inch	mm	inch	mm	inch	mm	inch	mm	inch	mm	inch	mm
8	.473	12.01	.719	18.26	3.000	76.20	.328	8.33	.562	14.27	.368	9.35	.100	2.54	.781	19.84
10	.590	14.99	.844	21.44	3.000	76.20	.328	8.33	.562	14.27	.368	9.35	.100	2.54	.781	19.84
12	.750	19.05	1.000	25.40	3.500	88.90	.328	8.33	.562	14.27	.368	9.35	.100	2.54	.781	19.84
14	.875	22.23	1.125	28.58	3.500	88.90	.328	8.33	.562	14.27	.368	9.35	.100	2.54	.781	19.84
16	1.000	25.40	1.250	31.75	3.500	88.90	.328	8.33	.562	14.27	.368	9.35	.100	2.54	.781	19.84
18	1.125	28.58	1.375	34.93	3.500	88.90	.328	8.33	.562	14.27	.368	9.35	.100	2.54	.781	19.84
20	1.250	31.75	1.500	38.10	4.000	101.60	.390	9.91	.625	15.88	.430	10.92	.100	2.54	.844	21.44
22	1.375	34.93	1.625	41.28	4.000	101.60	.390	9.91	.625	15.88	.430	10.92	.100	2.54	.844	21.44
24	1.500	38.10	1.750	44.45	4.000	101.60	.390	9.91	.625	15.88	.430	10.92	.109	2.77	.875	22.23

26482 S I

Protective Cover, Receptacle



Part Number Configuration

MIL. Prefix	MS3181-	XX	X	A	X
Aero Prefix	AE1581-	XX	X	A	X
Shell Size	8 THRU 24 (Note: single digit for shell size 8)				
Style	<ul style="list-style-type: none"> C = Chain Assembly R = Wire Rope Assembly N = Chain/ Angled Ring Assembly 				
Material Finish	<ul style="list-style-type: none"> A = Aluminum, Hard Black Anodized (Consult factory for other or plating options, must order via AE part #) 				
Chain/Wire Rope Lengh	<ul style="list-style-type: none"> Blank - for standard length "H" L= 5.000 +.500/-.250 				

26482 S I

SHELL SIZE	B Max.		H		J		L Max.		ØN MIN.		ØQ Max.		ØK MAX		X MAX	
			+0.500 -0.250	+12.70 -6.35	+0.010 -0.015	+0.254 -0.381										
	inch	mm	inch	mm	inch	mm	inch	mm	inch	mm	inch	mm	inch	mm		
8	.149	3.78	3.000	76.20	.115	2.92	.562	14.27	.578	14.68	.734	18.64	.812	20.62	.844	21.44
10	.149	3.78	3.000	76.20	.115	2.92	.562	14.27	.703	17.86	.859	21.82	1.000	25.40	.844	21.44
12	.149	3.78	3.500	88.90	.115	2.92	.562	14.27	.891	22.63	1.000	25.40	1.188	30.18	.844	21.44
14	.149	3.78	3.500	88.90	.115	2.92	.562	14.27	1.016	25.81	1.125	28.58	1.438	36.53	.844	21.44
16	.149	3.78	3.500	88.90	.115	2.92	.562	14.27	1.141	28.98	1.250	31.75	1.562	39.67	.844	21.44
18	.149	3.78	3.500	88.90	.115	2.92	.562	14.27	1.266	32.16	1.375	34.93	1.688	42.88	.844	21.44
20	.149	3.78	4.000	101.60	.115	2.92	.562	14.27	1.391	35.33	1.500	38.10	1.812	46.02	.844	21.44
22	.149	3.78	4.000	101.60	.115	2.92	.562	14.27	1.516	38.51	1.625	41.28	1.938	49.23	.844	21.44
24	.087	2.21	4.000	101.60	.147	3.73	.602	15.29	1.641	41.68	1.750	44.45	2.062	52.37	.875	22.23