

**HIGH-QUALITY;
LOW-COST;
RELIABLE & PEFECT;
SUPERIOR CUSTOMER SERVICE;
HOW DO WE DO IT?**

Inte-Auto Technology Committed to Providing the Best Value with Superior Customer Service:

Inte-Auto Technology is dedicated to electrical connector solutions for any industry. The replacement connectors are used in the very same applications as OEMs connectors. Inte-Auto has exactly what you need, when you need it at an unbeatable price.

Professional Connector Application Solutions:

Provide Connector Application Solutions.

Technology Creates Value.

Reliable and Perfect Connection System.

Commitment to Evolution.

※ Plastic connector widely used in electronics, instruments and equipment, Medical apparatus.

Plastic Connector

Series P plastic connector with the following main features

1. Quick push-pull self-latching system;
- 2.Solder and PCB type contacts;
3. Keying system, (G key standard) for connector alignment;
4. Multiple key option to avoid cross mating of similar connectors;
5. High-temperature endurable plastic out shell (-25°C~125°C),suited for many environments;
6. High packing density for space saving.

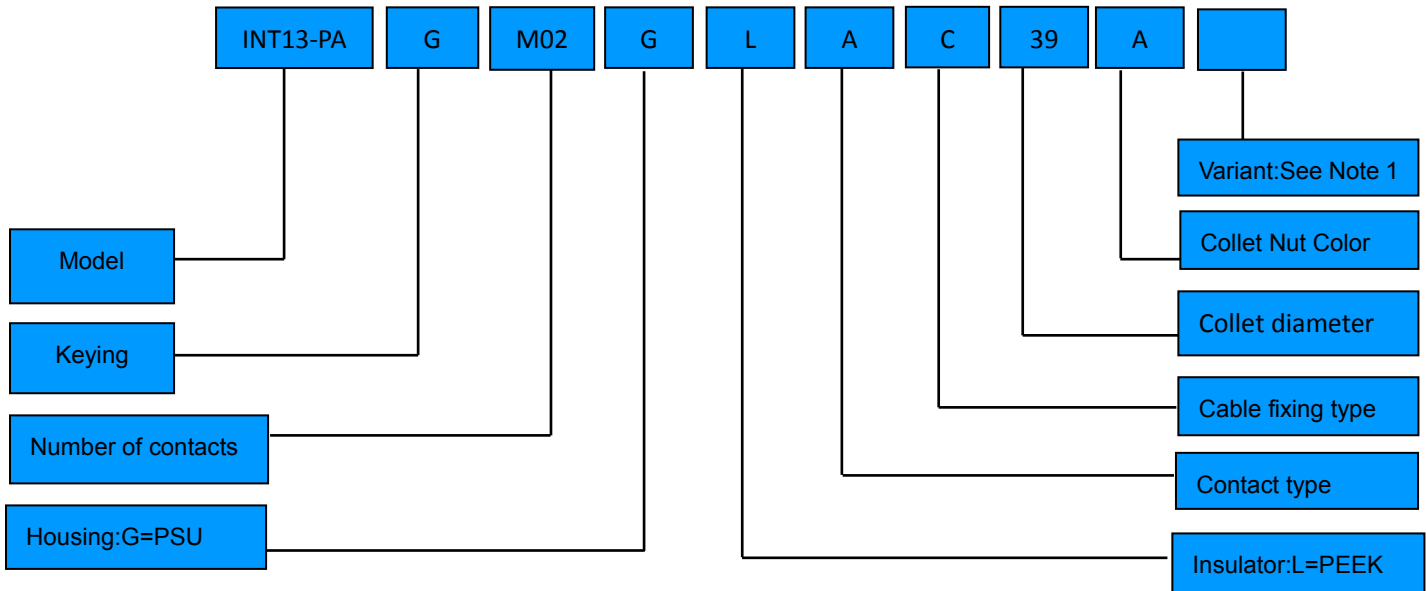
Technical characteristics

Mechanical and Climatically

- 1.Endurance: >1000Circle;
2. Temperature: -50 deg C, +125 deg C
3. IP Rating: IP50

Part Number Example:

Straight plug with cable collet:

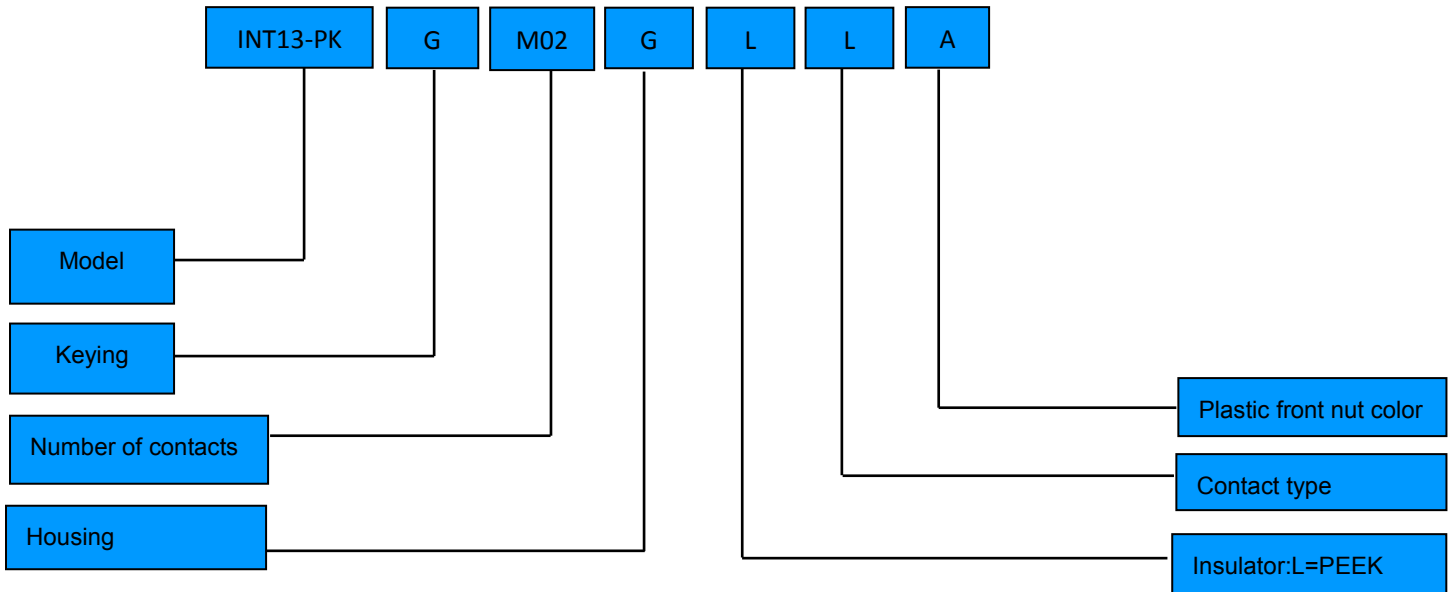


Item No. For example:

INT13-PAG.M0.2GL.AC.39A= Straight plug with cable collet and alignment key(G),multicontact type with 2 male contacts to solder, gray PSU outershell,PEEK insulator,collet for a cable ø2.7 to 3.9mm and blue collet nut.

※NOTE1:To order a model with cable collet and nut for fitting a bend relief, you must write a "Z" in the variant position.

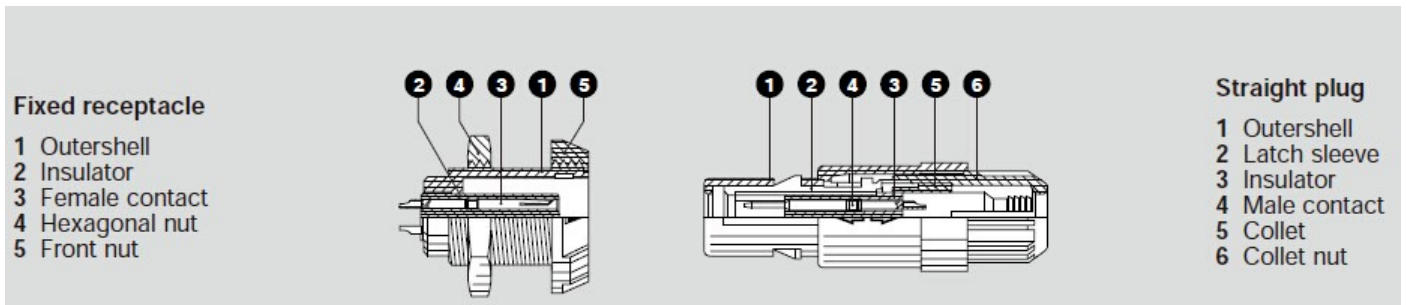
Fixed receptacle with two nuts:



Item No. For example:

INT13-PKG.M0.2GL.LA=Fixed receptacle with two nuts and alignment key(G),multicontact type with 2 female contacts to solder, gray outer shell, PEEK insulator, and blue plastic front nut.

Part Section Showing Internal Components



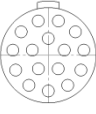



Products specifications:

1.1P Plastic Connector

No.	Size	1P									
	Pin array										
	Specification	02	03	04	05	06	07	08	09	10	14
1	Contact Dia(mm)	Ø1.3	Ø1.3	Ø0.9	Ø0.9	Ø0.7	Ø0.7	Ø0.7	Ø0.5	Ø0.5	Ø0.5
2	Solder Pin Dia(mm)	Ø1.1	Ø1.1	Ø0.85	Ø0.85	Ø0.6	Ø0.6	Ø0.6	Ø0.45	Ø0.45	Ø0.45
3	PCB Pin Dia(mm)	Ø0.9	Ø0.9	Ø0.7	Ø0.7	Ø0.6	Ø0.6	Ø0.6	/	/	/
4	Rated current(A)	10 A	9 A	8 A	7 A	6 A	5 A	5 A	3 A	3 A	2 A
5	Test Voltage(KV/AC)	1.2	1.2	1.2	1.05	1.05	1.05	1.05	0.85	0.85	0.6
6	Test Voltage (KV/DC)	1.8	1.8	1.8	1.5	1.5	1.5	1.5	1.2	1.2	0.9

7	Work Voltage(KV/AC)	0.4	0.4	0.4	0.35	0.35	0.35	0.35	0.29	0.29	0.2
8	Work Voltage (KV/DC)	0.6	0.6	0.6	0.5	0.5	0.5	0.5	0.4	0.4	0.3
9	Contact Resistance (mΩ)	<3.5	<4.5	<4.5	<4.5	<6.5	<6.5	<6.5	<8.5	<8.5	<8.5
10	Insulation Resistance (MΩ)	> 10 ⁶ MΩ									
11	Withstand voltage (KV/DC)	5.5KV/DC									
12	Work temperature (°C)	-50°C~+125°C									
13	Endurance (times)	≥5000									

2.2P Plastic Connector

No.	Size	2P			
	Pin array Specification				
		16	19	26	32
1	Contact Dia(mm)	0.7	0.7	0.5	0.5
2	Solder Pin Dia(mm)	0.8	0.8	0.4	0.4
3	PCB Pin Dia(mm)	0.8	0.8	/	/
4	Rated current(A)	6A	5A	2A	1.5A
5	Test Voltage(KV/AC)	1.5	1.4	1.0	0.7
6	Test Voltage (KV/DC)	2.2	2.0	1.35	1.0
7	Work Voltage(KV/AC)	0.5	0.46	0.35	0.23
8	Work Voltage (KV/DC)	0.73	0.66	0.45	0.33
9	Contact Resistance (mΩ)	<6.5	<6.5	<8.5	<8.5
10	Insulation Resistance (MΩ)	> 10 ⁶ MΩ			
11	Withstand voltage (KV/DC)	5.5KV/DC			
12	Work temperature (°C)	-50°C~+125°C			
13	Endurance(times)	≥5000			

3. 01#Size Pneumatic type

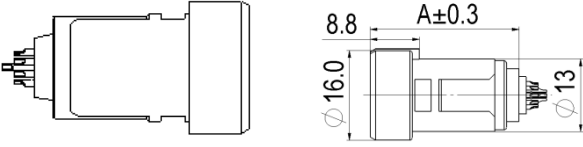
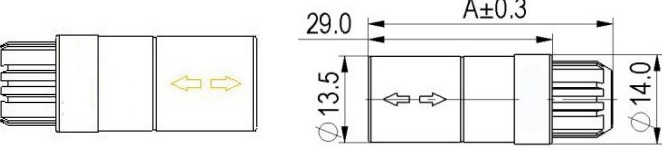
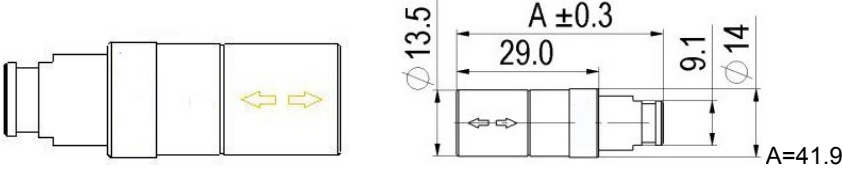
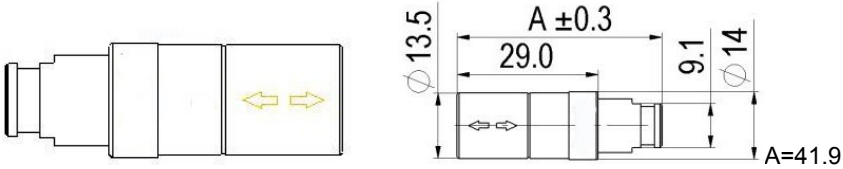
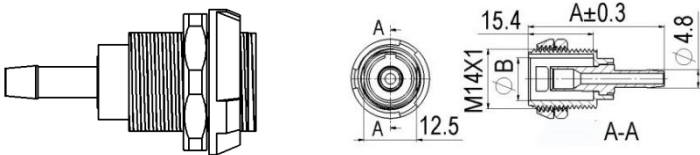
No.	Specification	Technical characteristics
1	Work temperature (°C)	-30°C~+60°C
2	Leakage Rate	≤4mmHg/min (0.5Kpa/min) when the pressure difference is 400mmHg
3	Endurance	push on/off 1000 times

1P Plug Model

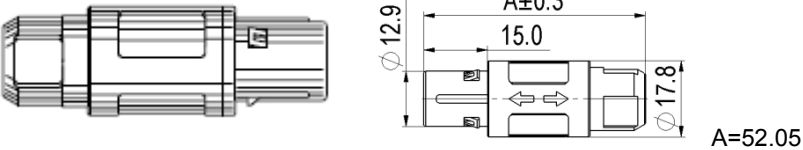
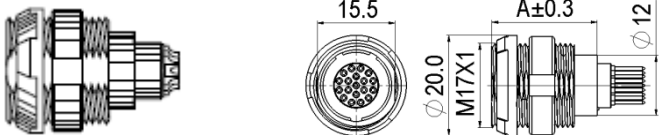
No.	Drawing	Note
PA●		Straight Plug
PA●		Straight Plug (nut for fitting a bend relief)
PF●		Watertight Plug (nut for fitting a bend relief, IP64)
PA●		Fluidic tube plug

1P Receptacle Model

No.	Drawing	Note
PK●		Fixed Receptacle (Two nuts)
PL●		Fixed Receptacle (Two nuts)
PN●		Watertight Receptacle (Two nuts)
PK●		Fixed Receptacle (Two nuts, Elbow 90° contact)

<p>PY●</p>		<p>Disposable Fixed receptacle (snap-on mounting)</p>
<p>PR●</p>		<p>Free receptacle</p>
<p>PR●</p>		<p>Free receptacle (nut for fitting a bend relief)</p>
<p>PR●</p>		<p>Watertight receptacle (nut for fitting a bend relief)</p>
<p>PK●</p>	 <p style="text-align: center;">A=32.15 B=10.1</p>	<p>Fixed receptacle with fluidic contact (two nuts)</p>

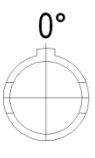
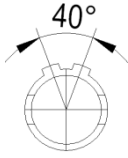
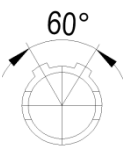
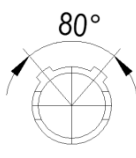
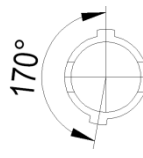
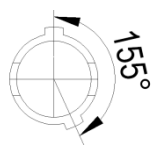
2P Plug Model

No.	Drawing	Note
<p>CAB</p>		<p>Straight Plug</p>
<p>CKB</p>		<p>Fixed Receptacle</p>

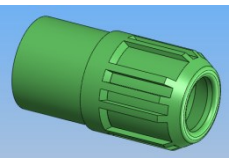
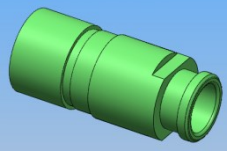
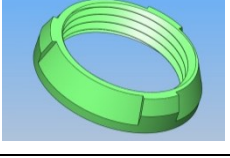
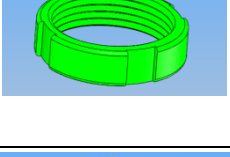
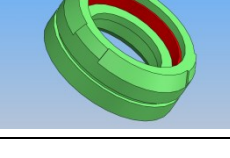
Collet

Ref	Size	AWG min-max		Ref	Size	AWG min-max
<p>1P</p>	<p>39</p>	<p>2.7~3.9mm</p>		<p>02</p>	<p>52A</p>	<p>3.3~5.2mm</p>
	<p>52</p>	<p>4.0~5.2mm</p>			<p>72</p>	<p>5.3~7.2mm</p>
	<p>65</p>	<p>5.3~6.5mm</p>			<p>92</p>	<p>7.3~9.2mm</p>

Alignment Key and Polarized Keying System

Keying(Plug front view)						
Key Code	N	C	D	E	F	G

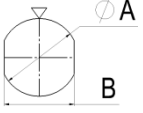
Collet nut

	Code	Color		Code	Color
	G	Gray		N	Black
	A	Blue		R	Red
	Code	Color		Code	Color
	G	Gray		N	Black
	A	Blue		R	Red
	Code	Color		Code	Color
	G	Gray		N	Black
	A	Blue		R	Red
	Code	Color		Code	Color
	G	Gray		N	Black
	A	Blue		R	Red
	Code	Color		Code	Color
	G	Gray		N	Black
	A	Blue		R	Red
	Code	Color		Code	Color
	J	yellow		V	Green

Bend relief

	REF	Color		REF	Color
	G	Gray		V	Green
	A	Blue		W	Whit
	J	yellow		B	Bown
	N	Black		O	Orange
	R	Red			

Panel holes dimension:

	Ref		A	B
	Size			
	01		14.0	12.6
	02		17.0	15.6

P Series Models:

	Ref	ØA	AWG	
			ØB(Max.)	ØB(Min.)
	1P	4.2	2.9	2.5
		4.7	3.4	3.0
		5.6	3.9	3.5
		5.7	4.4	4.0
		6.5	5.2	4.5
		7.4	6.0	5.4
		8.3	7.0	6.5
	2P	5.7	4.5	4.0
		6.3	5.0	4.5
		6.8	5.5	5.0
		7.9	6.5	6.0
		8.9	7.5	7.0
		10.3	9.0	8.0

Disposable Models:

	Ref	Color	Size	AWG
			Part#	ØA
	PH01	Gray	PYG.025.ABS	Ø2.5
	PH02	Gray	PYG.027.ABS	Ø2.7
	PH03	Gray	PYG.038.ABS	Ø3.8

PCB Panel cut-out

Ref	Pin Array			
1P				
	02	03	04	05
1P				
	06	07	08	09

	10	14		
2P				
	16	19	26	32

Panel cut-out for 90° angel socket

Ref	Pin Array			
1P				
	02	03	04	05
	06	07	08	09
	10	14		