

S.A.I.B.

Connectique

AUDIO PUSH-PULL CONNECTORS



NEW
22 CONTACTS
& QUICK-
RELEASABLE



CMA Series



DT 1111 Rev B



SAIB Connectique - 7 rue Salvador Allende - 42350 LA TALAUDIÈRE - FRANCE
Tél : 04 77 74 03 17 - www.saib.fr - saib@saib.fr



TABLE OF CONTENTS

Page 3 Specifications

Page 4 Part numbering system

Page 5

<i>Female extensions</i>	<i>Female feedthroughs</i>	<i>Solder cup</i>
		

Page 6

<i>Male plugs</i>	<i>Releasable male plugs</i>	<i>Solder cup & through-hole</i>
		

Page 7

<i>Dummy receptacle</i>	<i>Receptacles internal assembly</i>	<i>Solder cup & through-hole</i>
		

Page 8

<i>Receptacles external assembly</i>	<i>Solder cup & through-hole</i>
	

Pages 9-12 Informations tables

Page 13 Polarizing features






Page 14

<i>Removable backshells</i>	<i>Unremovable backshells</i>
	

Pages 15-16

<i>Banding backshells (ringed)</i>	<i>Banding backshells (knurled)</i>	<i>Elbow backshells 105°</i>	<i>Elbow backshells 90°</i>
			

Pages 17-19

<i>Caps for female connectors</i>			<i>Caps for male connectors</i>	
<i>Thermoplastic</i>	<i>Thermoplastic (enhanced)</i>	<i>Metallic</i>	<i>Thermoplastic</i>	<i>Metallic</i>
				

Page 20 Tools

Page 21 Specific products

For any specific demand, please contact us.



PART NUMBERING SYSTEM

① **Female EXTENSIONS**



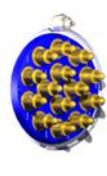
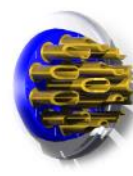
③ **Female FEEDTHROUGHS**



⑤ **Male PLUGS**



Pin termination
 Solder cup Through-hole



Connectors family:

CMA01 5 N 1 4 D 7 B M

Type:

1 = Extension / 3 = Panel feedthrough / 5 = Plug

Coding Key:

N / W / X / Y / Z

Number of contact:

4 / 10 / 14 / 22, specific: 6 contacts (4 for signal + 2 for power)

Backshell or through-hole termination:

D = Straight / C = Elbow / RAXX, RAIxx, RKxx = Special / Yxx = Through-hole

Cable diameter (mm):

4 / 5 / 6 / 7 / 8

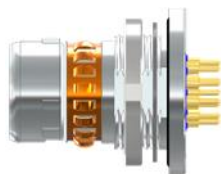
Material:

Nothing = Stainless Steel / BM = Marine Brass (Manufacturing on request)

Female RECEPTACLES (2 versions)

Pin termination

⑦ **Internal assembly**



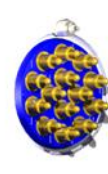
⑨ **External assembly**



Solder cup



Through-hole



Connectors family:

CMA01 7 N 1 4 Y 1 M B M

Type :

6 = Dummy receptacle / 7 = Receptacle Internal Ass.

9 = Receptacle External Assembly

Coding Key:

N / W / X / Y / Z

Number of contact:

4 / 10 / 14

Contact termination:

Nothing = Solder cup

Y1 / Y1.2 / Y1.3 / Y1.4 / Y2 / Y4 / Y4.1 / Y4.2 / Y8 = Through-hole termination

Electrical ground:

Nothing = Standard / M = 1 ground pin / Q = 4 ground pins

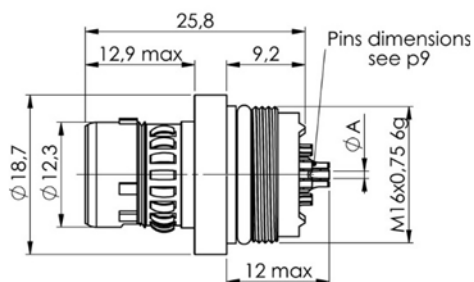
/ JC = Conductive o'ring

Material:

Nothing = Stainless Steel / BM = Marine Brass (Manufacturing on request)

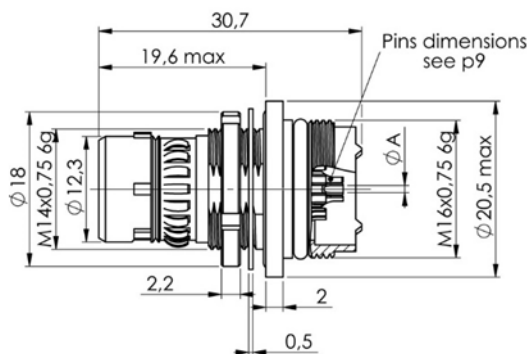
For any specific demand, please contact us.

EXTENSION CMA01 1-----



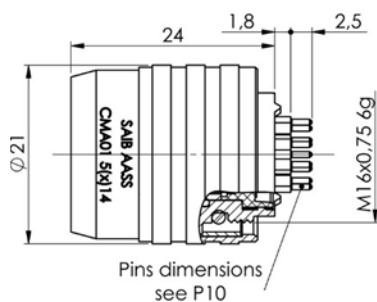
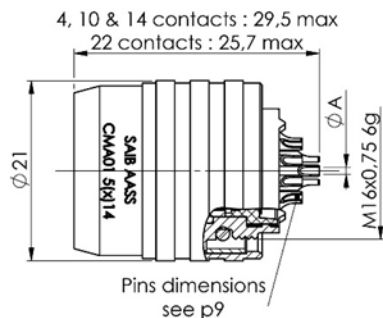
Extensions are equipped with female contacts with solder cup (for wire section see page 9).
 They are available with 4 contacts, 10 contacts, 14 contacts and 22 contacts.
 They are meant to be equipped with different kinds of backshells (see pages 14 to 16).

FEEDTHROUGH CMA01 3-----



Feedthroughs are equipped with female contacts with solder cup (for wire section see page 9).
 They are available with 4 contacts, 10 contacts, 14 contacts and 22 contacts. They are meant to be installed on panel and equipped with different kinds of backshells (see pages 14 to 16).

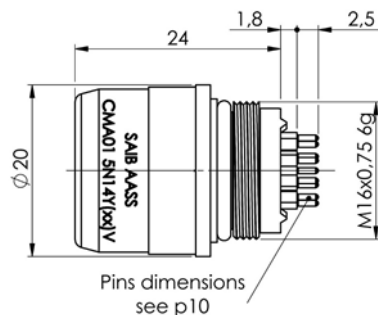
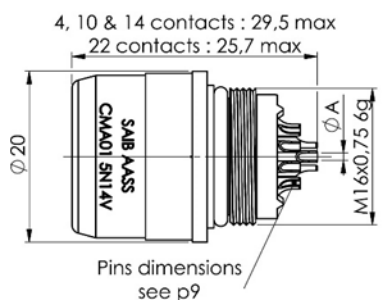
PLUGS CMA01 5-----



Plugs are equipped with male contacts with two termination contact versions: solder cup and through-hole (see pages 9 & 10).

They are available with 4 contacts, 10 contacts, 14 contacts and 22 contacts. They are meant to be equipped with different kinds of backshells (see pages 14 to 16).

QUICK-RELEASABLE PLUGS CMA01 5----- V

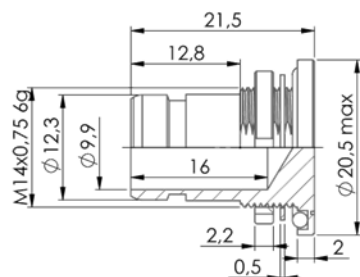


Plugs are equipped with male contacts with two termination contact versions: solder cup and through-hole (see pages 9 & 10).

They are available with 4 contacts, 10 contacts, 14 contacts and 22 contacts. They are meant to be equipped with different kinds of backshells (see pages 14 to 16).

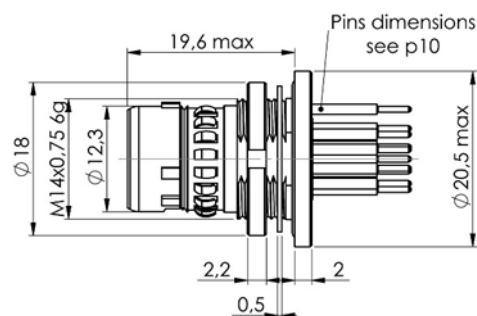
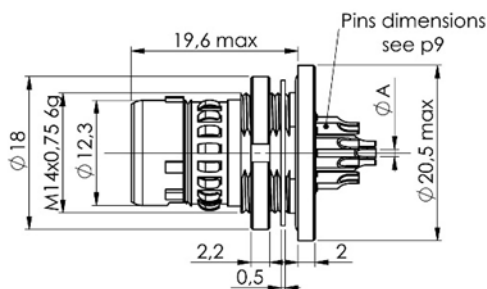
For any specific demand, please contact us.

DUMMY RECEPTACLE CMA01 6-----



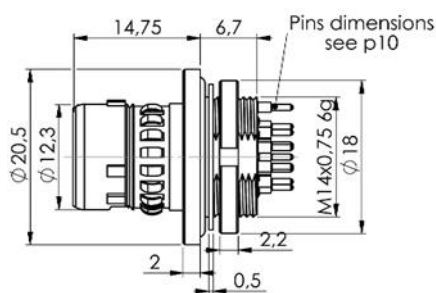
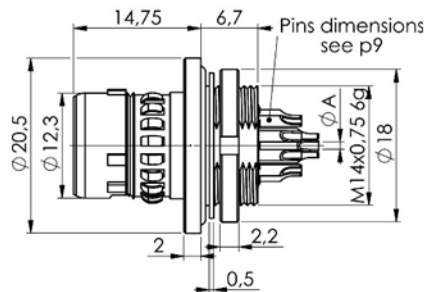
Dummy receptacles have no coding key.

RECEPTACLES CMA01 7----- Internal assembly



Receptacles are equipped with female contacts.
 They are available with two termination contact versions: solder cup and through-hole.
 They are available with 4 contacts, 10 contacts, 14 contacts and 22 contacts.
 They are meant to be installed from inside of the panel.
 See more details on page 11.

RECEPTACLES CMA01 9----- External assembly



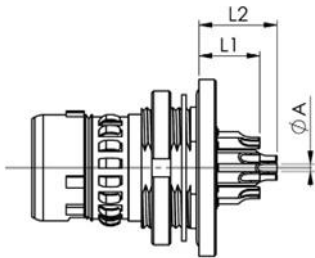
Receptacles are equipped with female contacts.
 They are available with two termination contact versions: solder cup and through-hole.
 They are available with 4 contacts, 10 contacts, 14 contacts and 22 contacts.
 They are specially designed to be installed from outside of the panel.
 See more details on page 11.

INFORMATIONS TABLES

The table below shows the standard versions.

	Extension 1	Feed-throughs 3	Plugs 5	Receptacle Internal Assembly 7	Receptacle External Assembly 9
Female contact	✓	✓		✓	✓
Male contact			✓		
Through hole termination			✓	✓	✓
Solder cup termination	✓	✓	✓	✓	✓
Can be equipped with backshells	✓	✓	✓		
Designed to be installed on panel		✓		✓	✓
4 contacts			✓	✓	
10 contacts	✓	✓	✓	✓	✓
14 contacts	✓	✓	✓	✓	✓
22 contacts	✓	✓	✓	✓	✓

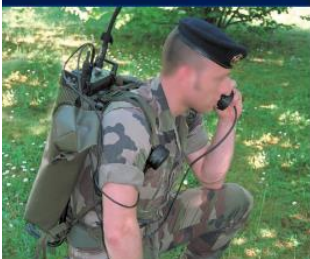
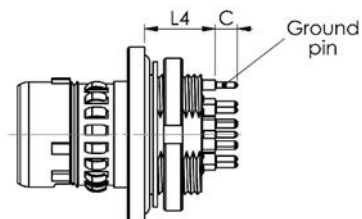
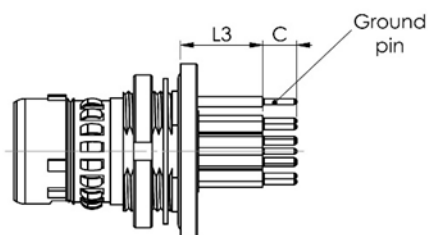
Solder Cup Termination

	Pins	L1	L2	Ø A
	4	7		AWG 18
	10	7		AWG 22
	14	7	9	AWG 22
	22	7	9	AWG 26

For any specific demand, please contact us.

Through-hole termination for receptacles

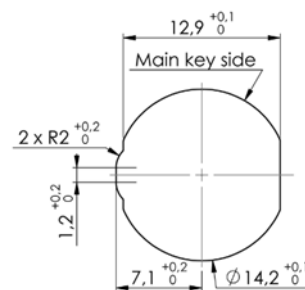
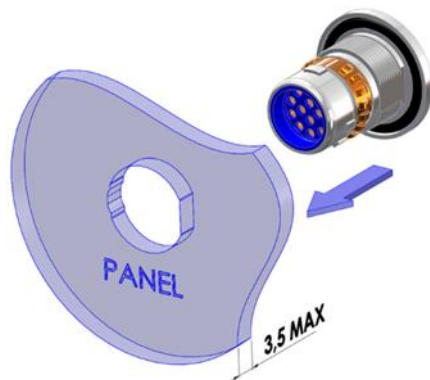
Pins	Length	Y1	Y1.2	Y1.3	Y1.4	Y2	Y4	Y4.1	Y4.2	Y8
4	C max				3,5					
	L3 max				3,5					
10-14	C max	4	2,6	1,5		4	2	1,2	1,6	4
	L3 max	3,5	3,5	3,5		9,5	3,2	3,2	3,2	5,5
	L4 max	8,2	8,2	8,2		14,2	7,9	7,9	7,9	10,2
22	C max	4	2,6	1,5		4	2	1,2	1,6	4
	L3 max	3,5	3,5	3,5		9,5	3,2	3,2	3,2	5,5
	L4 max	8,2	8,2	8,2		14,2	7,9	7,9	7,9	10,2



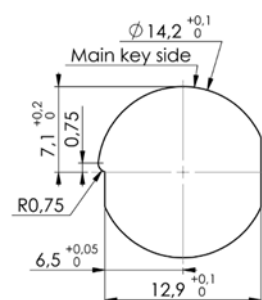
For any specific demand, please contact us.

Recommended panel cutout

Internal assembly CMA01 7-----

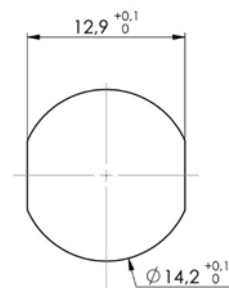
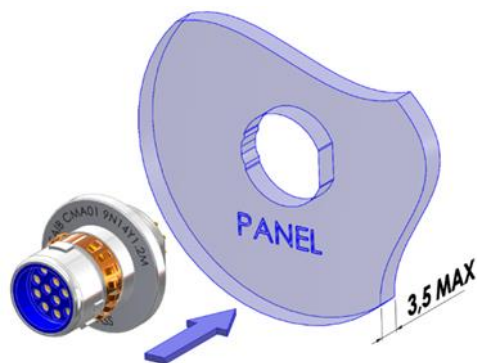


Front view 14 cts



Front view 22 cts

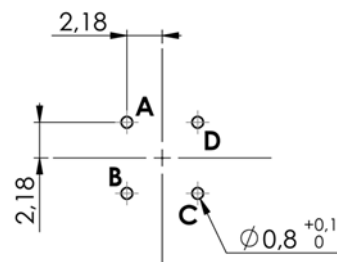
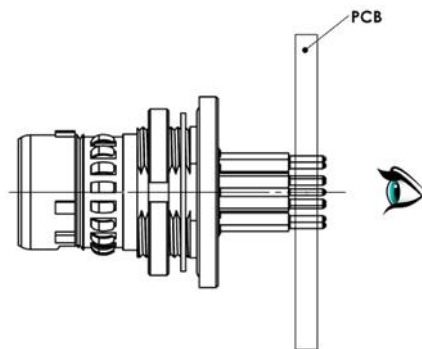
External assembly CMA01 9-----



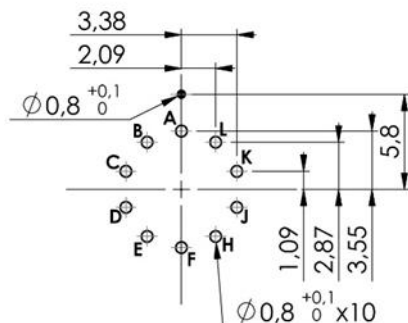
Front view

For any specific demand, please contact us.

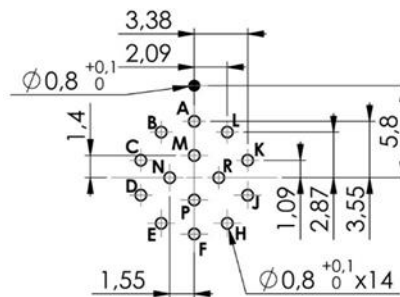
Recommended PC Board Pattern



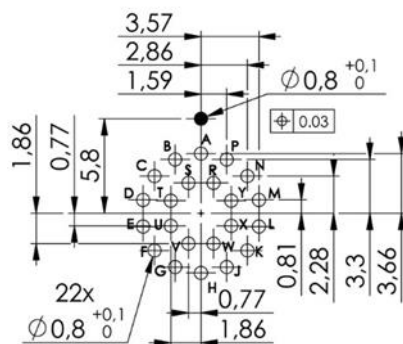
4 Contacts



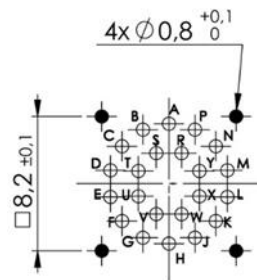
10 Contacts
 • ground pin



14 Contacts
 • ground pin



22 Contacts
 • ground pin



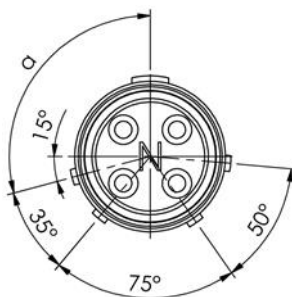
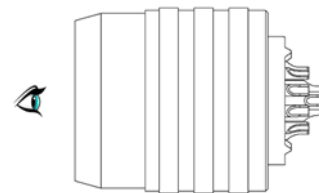
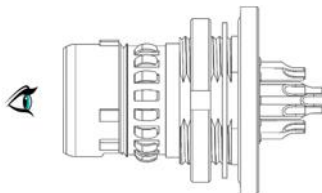
22 Contacts Q
 • ground pin (4)

For any specific demand, please contact us.

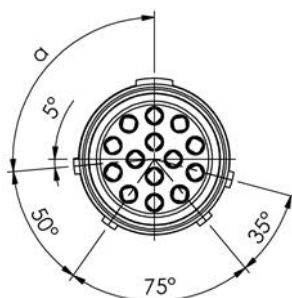
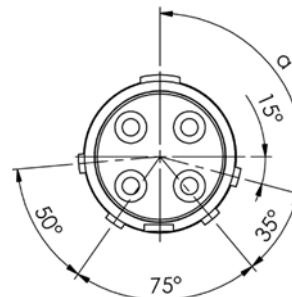
POLARIZING FEATURES

RECEPTACLE - EXTENSION FEEDTHROUGH

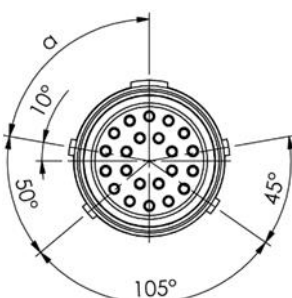
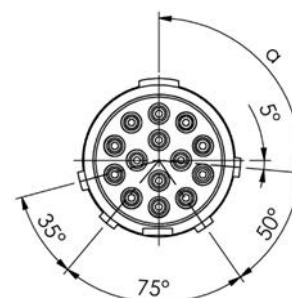
PLUG



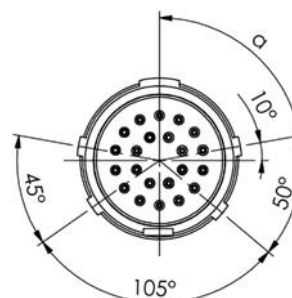
4 contacts
 (view from mating side)



10 / 14 contacts
 (view from mating side)



22 contacts
 (view from mating side)



		Coding keys				
		N	W	X	Y	Z
Angle α	4 contacts	105°				
	10 / 14 contacts	95°	85°	105°	75°	115°
	22 contacts	80°	70°	90°	60°	100°

Coding key indicated in part number.

BACKSHELLS FOR

EXTENSIONS



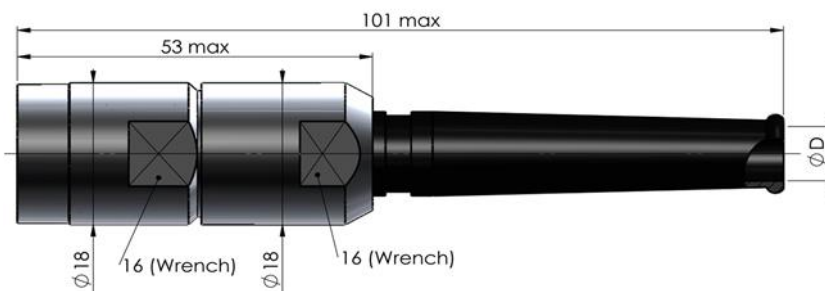
FEEDTHROUGHS



PLUGS



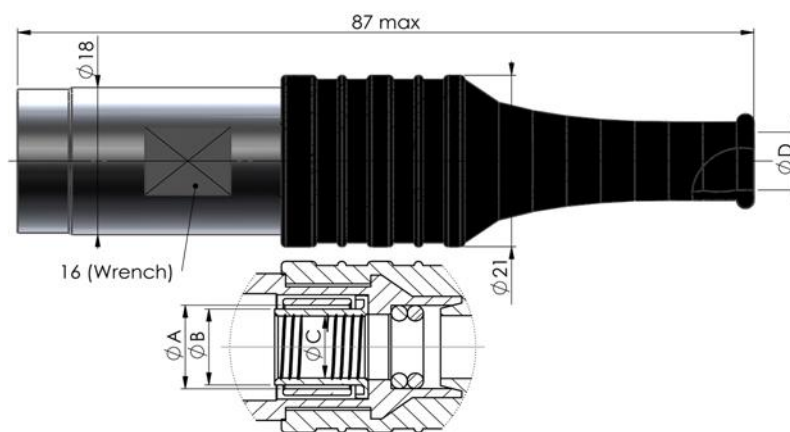
REMOVABLE BACKSHELLS



Cable Ø D	Part Number
4 mm	CMA01 D4
5 mm	CMA01 D5
6 mm	CMA01 D6
7 mm	CMA01 D7
8 mm	CMA01 D8

For mounting instructions, please see SAIB DT1200.

UNREMOVABLE BACKSHELLS

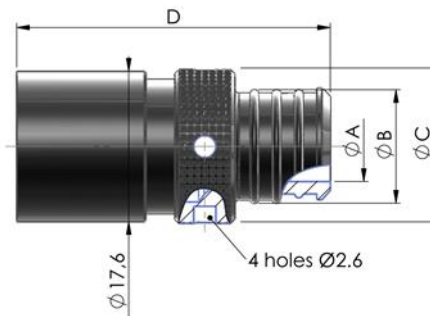


Ø A	Ø B	Ø C	Ø D	Part Number
7.1 mm	6.8 mm	5.2 mm	5 mm	CMA01 RAI50
9.2 mm	8.8 mm	7.3 mm	6.9 mm	CMA01 RAI70
10.2 mm	9.3 mm	7.6 mm	8 mm	CMA01 RAI80

For any specific demand, please contact us.

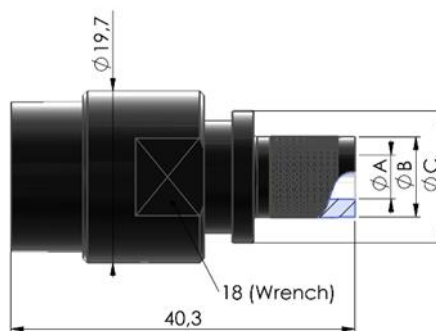


BANDING BACKSHELLS ringed termination



Ø A	Ø B	Ø C	D	Part Number
10 mm	13.3 mm	18 mm	36.7 mm	CMA01 RA02
5.8 mm	8.8 mm	15 mm	30.7 mm	CMA01 RA06

BANDING BACKSHELLS knurled termination



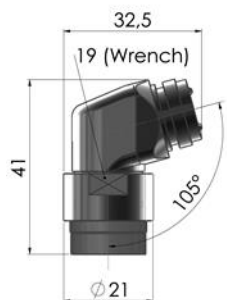
Ø A	Ø B	Ø C	Part Number
5.2 mm	8.3 mm	15.5 mm	CMA01 RA12
6.4 mm	9.4 mm	15.5 mm	CMA01 RA13
7.9 mm	11 mm	15.5 mm	CMA01 RA16
11.1 mm	14.1 mm	18.7 mm	CMA01 RA18
8.3 mm	11 mm	15.5 mm	CMA01 RA19
9.5 mm	12.6 mm	17.1 mm	CMA01 RA20
12.7 mm	15.9 mm	20 mm	CMA01 RA21



For any specific demand, please contact us.

ELBOW BACKSHELLS

105° Elbow backshell



105° elbow
 + Removable backshell

CMA01 CD4
 CMA01 CD5
 CMA01 CD6

CMA01 CD7
 CMA01 CD8



105° elbow
 + Unremovable backshell

CMA01 CRAI50
 CMA01 CRAI70
 CMA01 CRAI80



105° elbow
 + Bendit backshell

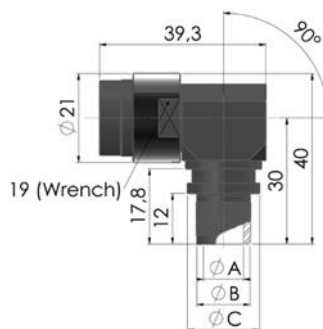
CMA01 CRA02
 CMA01 CRA06
 CMA01 CRA12
 CMA01 CRA13
 CMA01 CRA16

CMA01 CRA18
 CMA01 CRA19
 CMA01 CRA20
 CMA01 CRA21

105° elbow

21-18-02

90° Elbow backshell



Ø A	Ø B	Ø C	Part Number
5.2 mm	8.3 mm	15.5 mm	CMA01 RK12
6.4 mm	9.4 mm	15.5 mm	CMA01 RK13
7.9 mm	11 mm	15.5 mm	CMA01 RK16
11.1 mm	14.1 mm	18.7 mm	CMA01 RK18
8.3 mm	11 mm	15.5 mm	CMA01 RK19
9.5 mm	12.6 mm	17.1 mm	CMA01 RK20
12.7 mm	15.9 mm	20 mm	CMA01 RK21

90° elbow backshells are manufactured on request only.

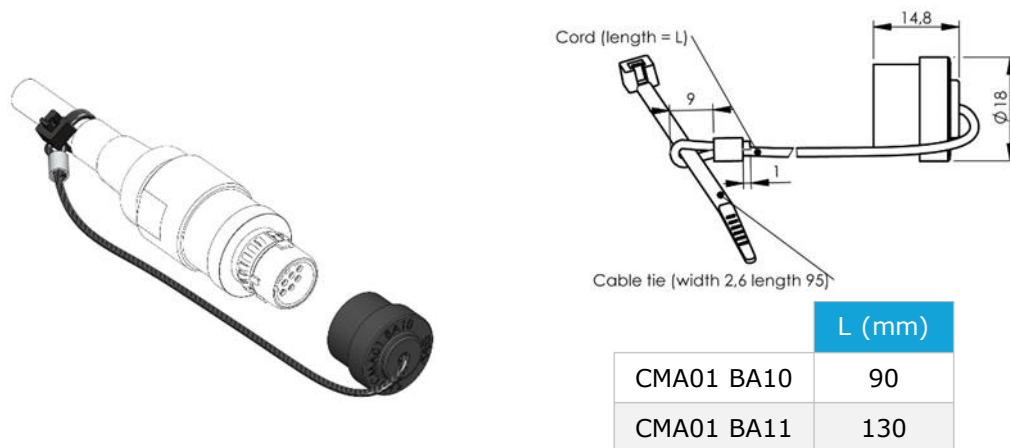
For any specific demand, please contact us.

THERMOPLASTIC CAPS for female connectors

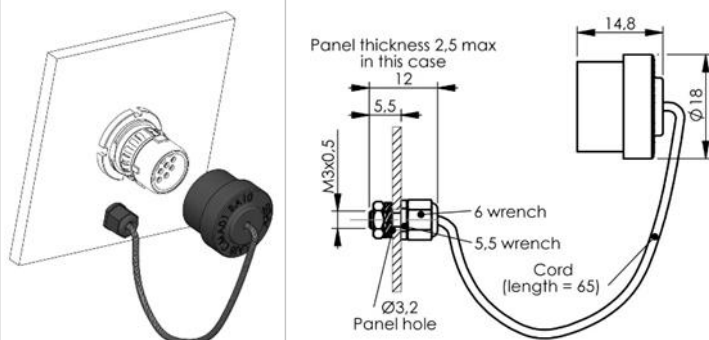
CMA01 BA09



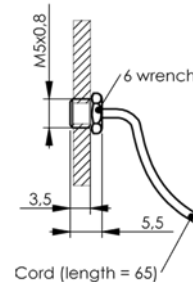
CMA01 BA10 & CMA01 BA11



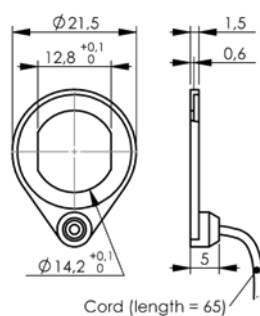
CMA01 BA70



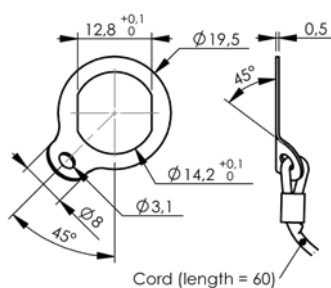
CMA01 BA71



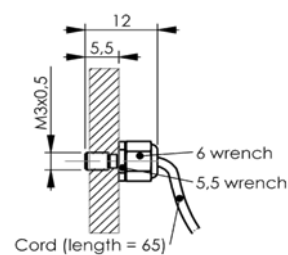
CMA01 BA72



CMA01 BA78



CMA01 BA79

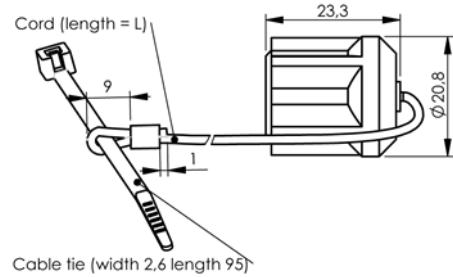


For any specific demand, please contact us.

THERMOPLASTIC CAPS

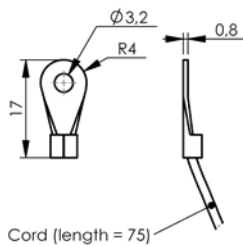
for female connectors (enhanced protection against shocks)

CMA01 BA103 & CMA01 BA110

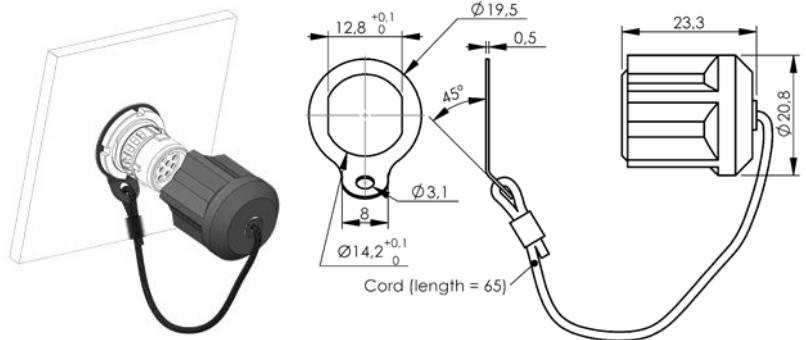


	L (mm)
CMA01 BA103	105
CMA01 BA110	135

CMA01 BA101



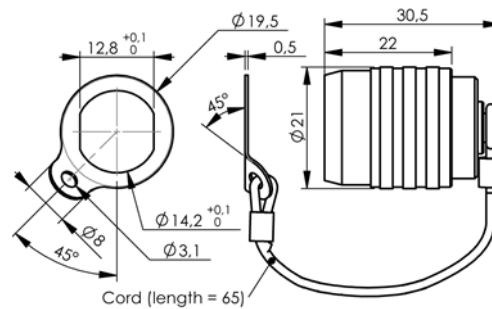
CMA01 BA102



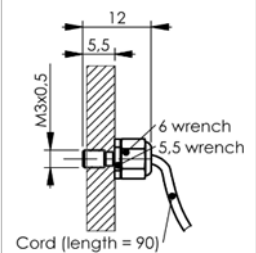
METALLIC CAPS

for female connectors

CMA01 BA73 EM10/14



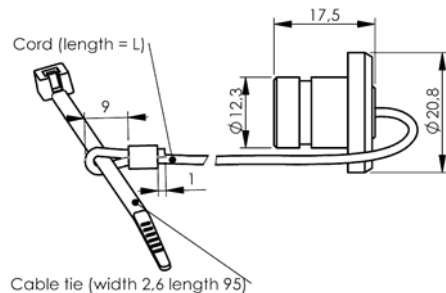
CMA01 BA73 CN10/14



For marine brass version : consult us.

THERMOPLASTIC CAPS for male connectors

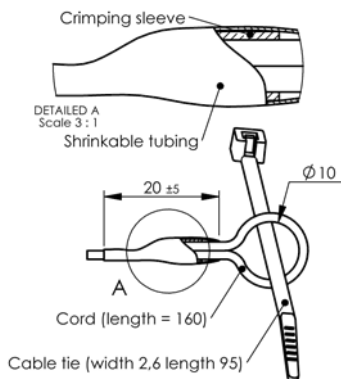
CMA01 BA6 / CMA01 BA61 / CMA01 BA62



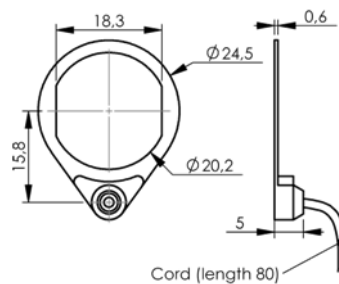
Cable tie (width 2,6 length 95)

	L (mm)
CMA01 BA6	80
CMA01 BA61	250
CMA01 BA62	130

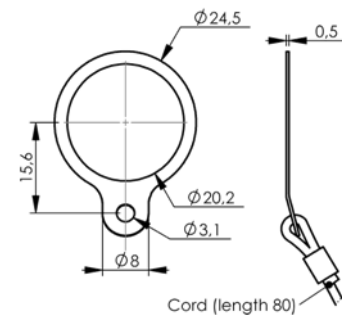
CMA01 BA68



CMA01 BA90

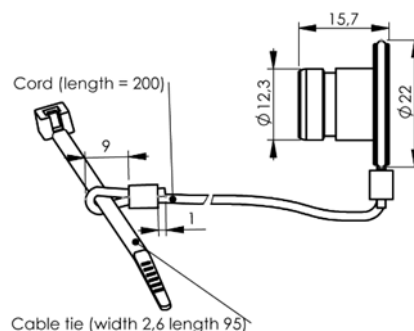


CMA01 BA96



METALLIC CAPS for male connectors

CMA01 BA65



Cable tie (width 2,6 length 95)

For any specific demand, please contact us.

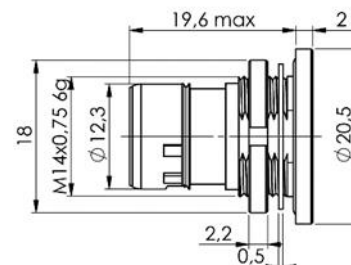
TOOLS

Tightening support

(compatible with all coding keys)

087-021-01 10 & 14 contacts

087-021-02 22 contacts

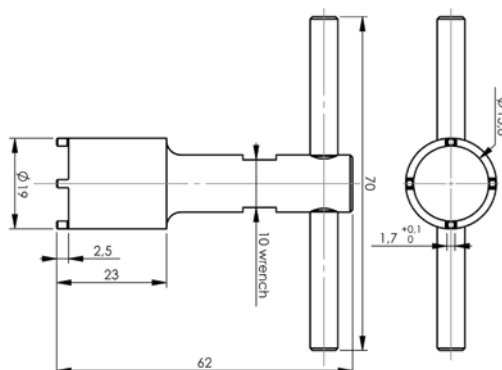


Tightening torque for backshells

Material	Torque (N.m)
Aluminium	6
Marine Brass	8

Tightening key for receptacle

081-221-00



Tightening torque for receptacle nuts

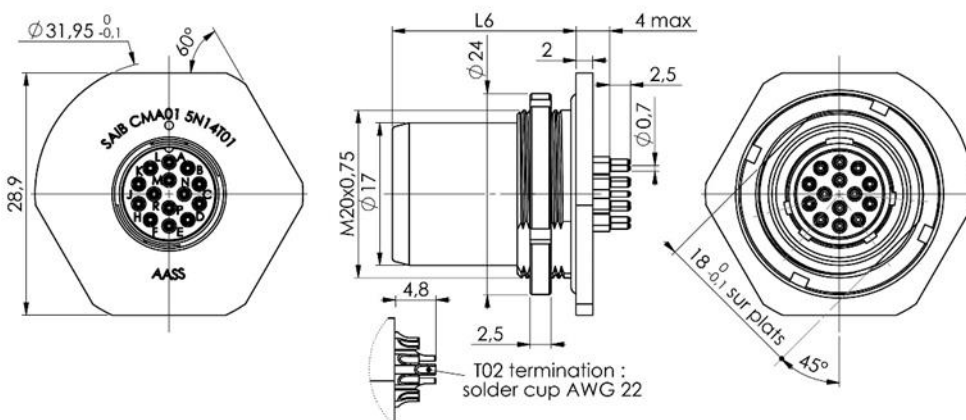
Material	Torque (N.m)
Stainless steel	9
Marine Brass	11

SPECIFIC PRODUCTS

MALE RECEPTACLE

L5 Pin Termination

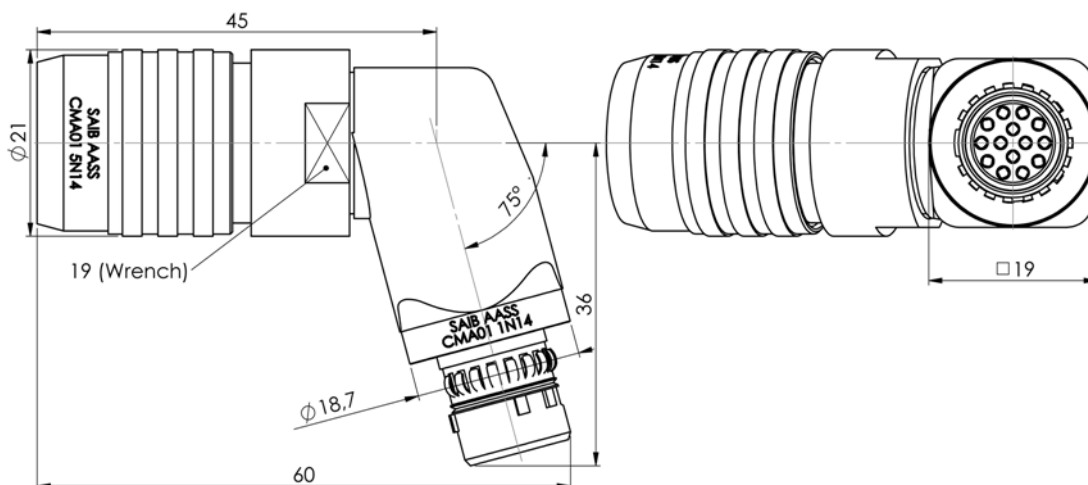
CMA01 5N14 T01	22	Through hole
CMA01 5N14 T02	22	Solder cup
CMA01 5N14 T03	28,7	Through hole



ADAPTER

CMA01 A15N14

CMA01 A5N14 is an elbow adapter with male and female ends, designed according to customer requirements.



For any specific demand, please contact us.