

MIL-DTL-38999
Series III & IV,
EN3645

M85049/39 S 11 W

Basic Part No. _____

S = Self-Locking
Use Dash for Non-Self-Locking

Shell Size _____

Material and Finish Designator

A = Aluminum, Black Anodize
N = Aluminum, Electroless Nickel
S = 300 Series Steel, Passivated
W = Aluminum, 1,000 Hour Cadmium
Olive Drab Over Electroless Nickel

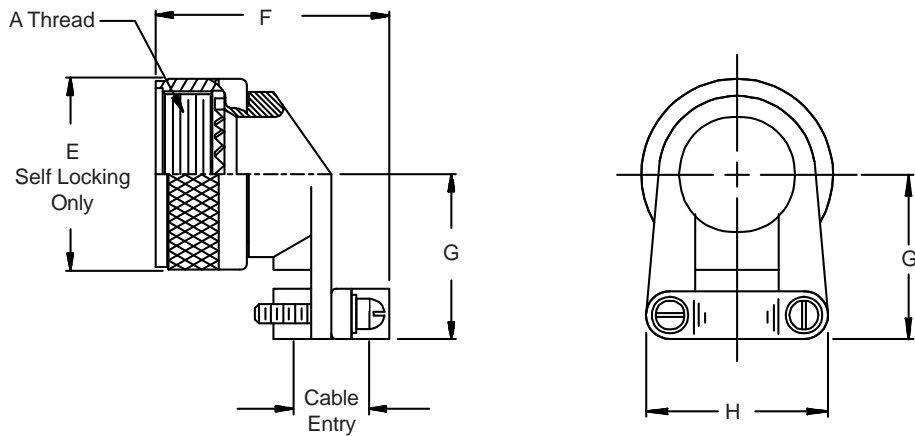


TABLE I

Shell Size	Shell Size Ref.	A Thread Class 2B	E Dia Max Self-Locking Only	F Max	G Max	H Max	Cable Entry	
							Min	Max
9	A	M12 X 1 - 6H	.858 (21.8)	1.20 (30.5)	1.00 (25.4)	.85 (21.6)	.098 (2.5)	.234 (5.9)
11	B	M15 X 1 - 6H	.984 (25.0)	1.20 (30.5)	1.10 (27.9)	.90 (22.9)	.153 (3.9)	.234 (5.9)
13	C	M18 X 1 - 6H	1.157 (29.4)	1.40 (35.6)	1.10 (27.9)	1.10 (27.9)	.190 (4.8)	.328 (8.3)
15	D	M22 X 1 - 6H	1.279 (32.5)	1.45 (36.8)	1.25 (31.8)	1.15 (29.2)	.260 (6.6)	.457 (11.6)
17	E	M25 X 1 - 6H	1.406 (35.7)	1.60 (40.6)	1.30 (33.0)	1.30 (33.0)	.283 (7.2)	.614 (15.6)
19	F	M28 X 1 - 6H	1.516 (38.5)	1.70 (43.2)	1.35 (34.3)	1.50 (38.1)	.325 (8.3)	.634 (16.1)
21	G	M31 X 1 - 6H	1.642 (41.7)	1.85 (47.0)	1.60 (40.6)	1.60 (40.6)	.343 (8.7)	.698 (17.7)
23	H	M34 X 1 - 6H	1.768 (44.9)	1.95 (49.5)	1.75 (44.5)	1.70 (43.2)	.381 (9.7)	.823 (20.9)
25	J	M37 X 1 - 6H	1.889 (48.0)	2.10 (53.3)	1.85 (47.0)	1.80 (45.7)	.418 (10.6)	.853 (21.7)

1. For complete dimensions see applicable Military Specification.
2. Metric dimensions (mm) are indicated in parentheses.
3. Cable Entry is defined as the accommodation entry for the wire bundle or cable.
Dimensions are not intended for inspection criteria.